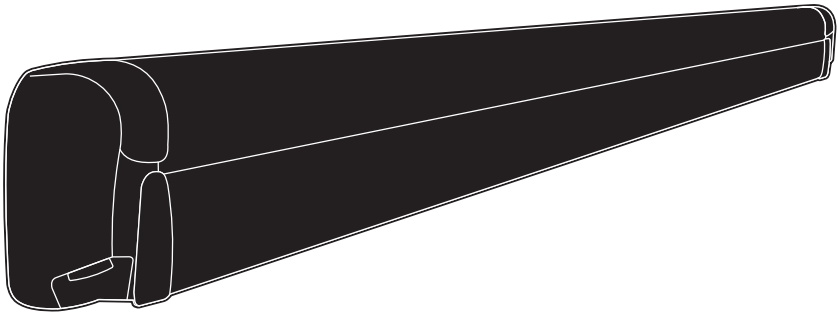


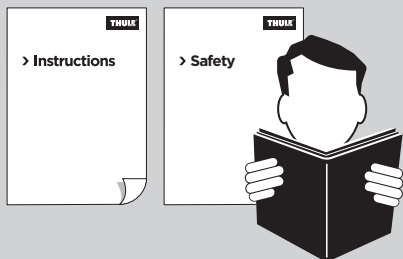
USER + INSTALLATION

➤ Instructions

Thule Omnistor 8000
EM motor 230V

3026xx





DE	Markise - Bedienungsanleitung
NL	Luifel - Gebruikershandleiding
FR	Store - Instructions d'utilisation
IT	Tenda - Istruzioni per l'uso
ES	Toldo - Instrucciones de uso
SV	Markis - Användarmanual
FI	Markiisi - Käyttöohje
DA	Markise - Brugervejledning
NO	Markise - Brukerinstruksjoner
PL	Markiza - Instrukcja dla użytkownika

USER**6****1 WARNINGS & INFO****6**

Warnungen & Infos / Avertissements & informations / Waarschuwingen & info / Avvertenze & informazioni / Advertencias & información / Varningar & information / Varoituksia & tietoja / Advarsler & info / Advarsler & information / Ostrzeżenia & informacje

2 OPEN**9**

Öffnen / Openen / Ouvrir / Apri / Abrir / Öppna / Avaa / Åben / Åpne / Otwórz

3 CLOSE**14**

Schließen / Sluiten / Fermer / Chiudi / Cerrar / Stänga / Sulje / Luk / Lukke / Zamkni

4 ACCESSORIES**19**

Zubehör / Accessoires / Accessoires / Accessori / Accesorios / Tillbehör / Lisävarusteet / Tilbehør / Tilbehør / Akcesoria

INSTALLATION**21****1 CONTENT****21**

Inhalt / Inhoudsopgave / Sommaire / Contenuto / Contenido / Innehåll / Sisällys / Indhold / Innhold / Treść

2 TOOLS**22**

Werkzeuge / Gereedschappen / Outils / Strumenti / Herramientas / Verktøy / Työkalut / Værktøj / Verktøy / Narzędzia

3 AWNING INSTALLATION**23**

Installation einer Markise / Luifelinstallatie / Installation de l'auvent / Installazione della tendalino / Instalación del toldo / Markisinstallasjon / Markiisin asennus / Montering af markiser / Markisemontering / Instalacja markizy

4 ELECTRICAL INSTALLATION**24**

Elektrische Installation / Elektrische installatie / Installation électrique / Installazione elettrica / Instalación eléctrica / Elinstallation / Sähköasennus / Elektrisk montering / Elektrisk montering / Instalacja elektryczna

5 FOOT SUPPORT INSTALLATION 30

Installation der Fußstütze / Installatie voetsteun / Installation du repose-pieds / Installazione del supporto del piede / Instalación del soporte para pies / Fotstödsinstallation / Jalkatuen asennus / Montering af fodstøtte / Fotstøttemontering / Instalacja wspornika stopy

6 HAND CRANK SUPPORT INSTALLATION 33

Installation der Handkurbelstütze / Installatie handzwengelsteun / Installation du repose-manivelle / Installazione del supporto della manovella manuale / Instalación del soporte de la manivela / Installation av handvevsstöd / Käsikammen tuen asennus / Håndsving hjælper med installation / Håndsveivstøttemontering / Instalacja wsparcia korby ręcznej

7 REMOTE CONTROL SUPPORT INSTALLATION 33

Installation der Fernsteuerung / Installatie afstandsbediening / Installation de la télécommande / Installazione del telecomando / Instalación del control remoto / Installation av fjärrkontroll / Kaukosäätimen asennus / Montering af fjernkontrol / Montering av fjernkontroll / Instalacja pilota

TROUBLESHOOTING 34

1 CHECK PRODUCT INFO 34

Produktinfo prüfen / Productinfo controleren / Consulter les info sur le produit / Controlla le informazioni sul prodotto / Consultar información del producto / Kontrollera produktinformation / Tarkista tuotetiedot / Tjek produktinfo / Kontroll produktinfo / Sprawdź informacje o produkcie

2 WHAT IF THE AWNING DOESN'T WORK ? 35

Was ist, wenn die Markise nicht funktioniert? / Wat als de luifel niet werkt? / Que faire si l'auvent ne marche pas? / E se la tendalino non funziona? / ¿Qué pasa si el toldo no funciona? / Vad ska jag göra om markisen inte fungerar? / Entä, jos markiisi ei toimi? / Hvad gør jeg, hvis markisen ikke virker? / Hva hvis markisen ikke virker? / Co, jeśli markiza nie działa?

3 WHICH MOTOR 230V IS USED IN THE AWNING ? 36

Welcher Motor 230 V wird in der Markise verwendet? / Welke 230V-motor wordt gebruikt voor de luifel? / Quel est le moteur 230 V utilisé dans l'auvent? / Quale motore da 230 V viene utilizzato nella tendalino? / ¿Qué motor de 230 V se usa en el toldo? / Vilken 230-voltsmotor används för markisen? / Mitä 230V moottoria käytetään markiisissa? / Hvilken 230V motor bruger markisen? / Hvilken 230 V-motor brukes i markisen? / Który silnik 230 V jest używany w markizie?

4 MANUAL OVERRIDE 37

Handnotbetätiguing / Handmatige overbrugging / Remplacement manuel / Dispositivo di soccorso manuale / Anulación manual / Manuell åsidosättning / Manuaalinen ohitus / Manuel tilsidesætning / Manuell overstyring / Przejsćie na sterowanie ręczne

5 POWER SUPPLY TOO LOW (U < 200V) 38

Spannungsversorgung zu niedrig (U < 200 V) / Voedingsspanning te laag (U < 200 V) / Alimentation électrique trop faible (U < 200 V) / Alimentazione troppo bassa (U < 200 V) / Voltaje demasiado bajo (U < 200 V) / Strömtillförsel för låg (U < 200 V) / Virtalähde liian alhainen (U < 200V) / Strømforsyningen er for lav (U < 200V) / Strømforsyning for lav (U < 200 V) / Zasilanie za niskie (U < 200 V)

6 POWER SUPPLY TOO HIGH (U > 250V) 39

Spannungsversorgung zu hoch (U > 250 V) / Voedingsspanning te hoog (U > 250 V) / Alimentation électrique trop élevée (U > 250 V) / Alimentazione troppo alta (U > 250 V) / Voltaje demasiado alto (U > 250 V) / Strömtilfförsel för hög (U > 250 V) / Virtalähde liian korkea (U > 250V) / Strømforsyningen er for høj (U > 250V) / Strømforsyning for høy (U < 250 V) / Zasilanie za wysokie (U < 250 V)

7 IGNITION KEY (D+) IS ACTIVE 40

Zündung (D+) ist aktiv / Ontstekingsleutel (D+) is actief / La clé de démarrage (D+) est active / La chiave di accensione (D+) è attiva / La llave de encendido (D+) está activa / Tändningsnyckel (D+) är aktiv / Virta-avain (D+) on aktiivinen / Startnøgle (D+) er aktiv / Tenningsnøkkel (D+) er aktiv / Kluczyk zapłonu (D+) jest aktywny

8 THERMAL PROTECTION OF THE MOTOR 40

Thermischer Schutz des Motors / Thermische beveiliging van de motor / Protection thermique du moteur / Protezione termica del motore / Protección térmica del motor / Värmeskydd för motorn / Moottorin lämpösuoja / Varmebeskyttelse af motoren / Varmebeskyttelsen til motoren / Ochrona termiczna silnika

9 REMOTE CONTROL IS BROKEN OR LOST 41

Grenzeinstellung der Markise / Limietinstelling van de luifel / Réglage de la limite de l'auvent / Impostazione limite della tendalino / Ajuste del límite del toldo / Begränsningsinställning för markisen / Markiisin rajaussäätö / Afgræns indstilling af markisen / Begrensningsinnstilling av markisen / Ustawienie ogranicznika markizy

10 LIMIT SETTING (AWNING) 42

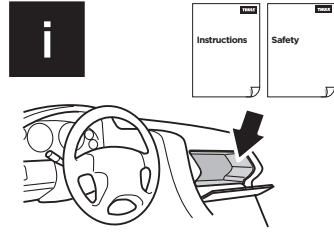
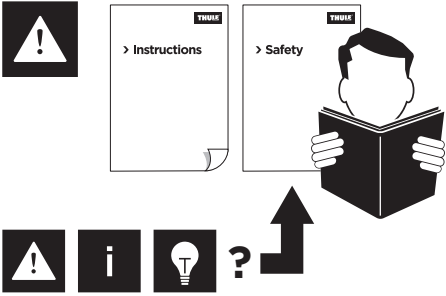
Grenzeinstellung der Markise / Limietinstelling van de luifel / Réglage de la limite de l'auvent / Impostazione limite della tendalino / Ajuste del límite del toldo / Begränsningsinställning för markisen / Markiisin rajaussäätö / Afgræns indstilling af markisen / Begrensningsinnstilling av markisen / Ustawienie ogranicznika markizy

11 CONTACT DEALER 48

Kontakt zu Händler aufnehmen / Neem contact op met de dealer / Contacter le revendeur / Contatta il rivenditore / Ponte en contacto con el distribuidor / Kontakta återförsäljare / Ota yhteyttä jälleenmyyjään / Kontakt forhandler / Kontakt forhandleren / Skontaktuj się z dealerem

USER

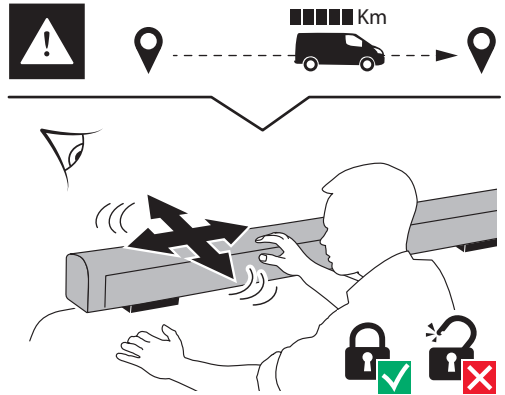
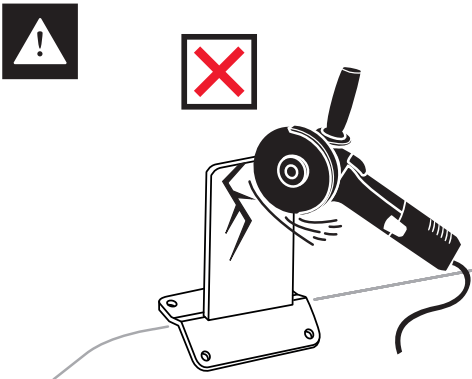
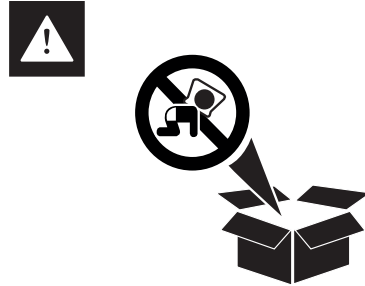
1 WARNINGS & INFO

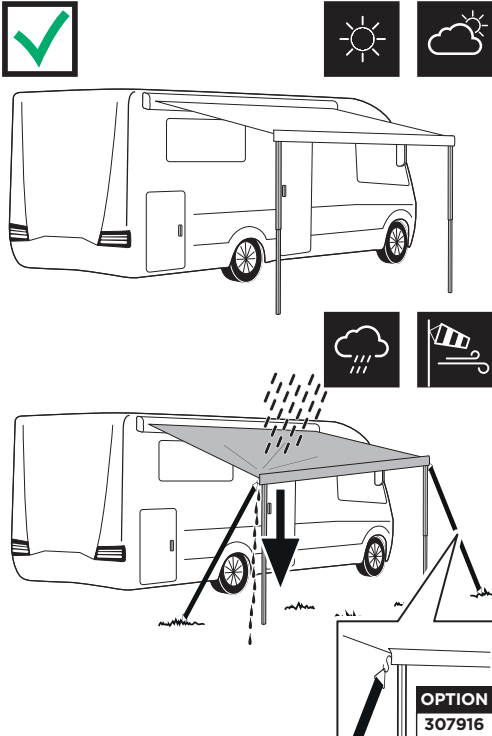
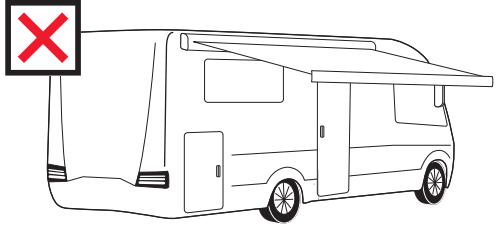
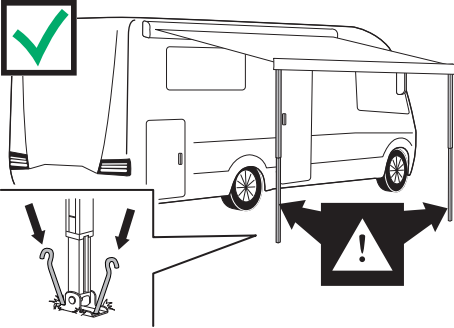
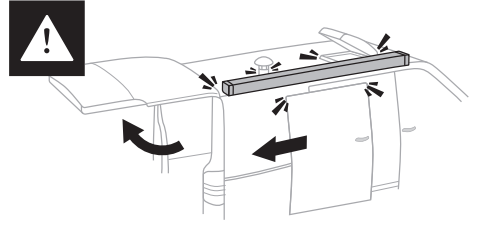
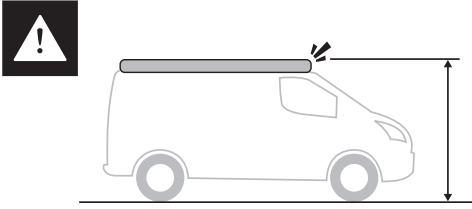


OK



NOK



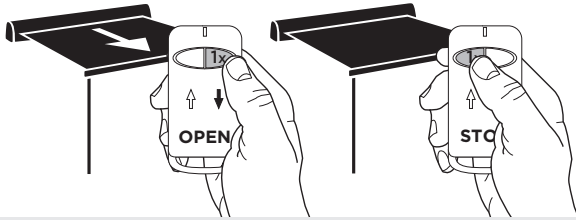


**CLOSE
THE AWNING**

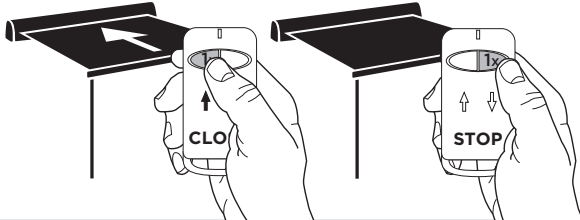


i Remote Control system

OPEN

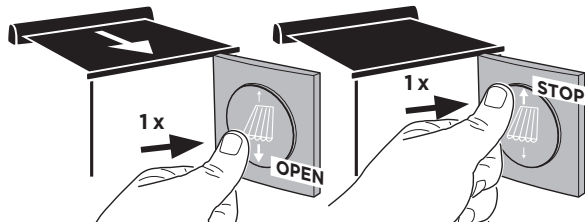


CLOSE

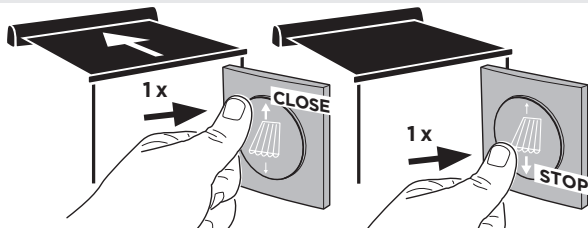


i Switch system (optional)

OPEN

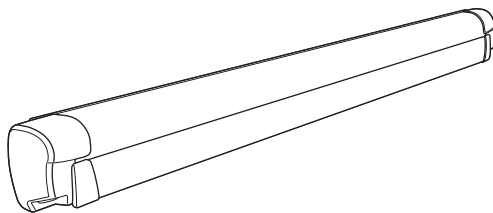
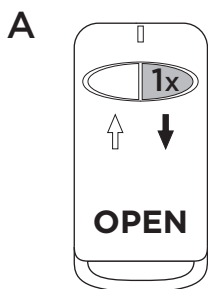


CLOSE

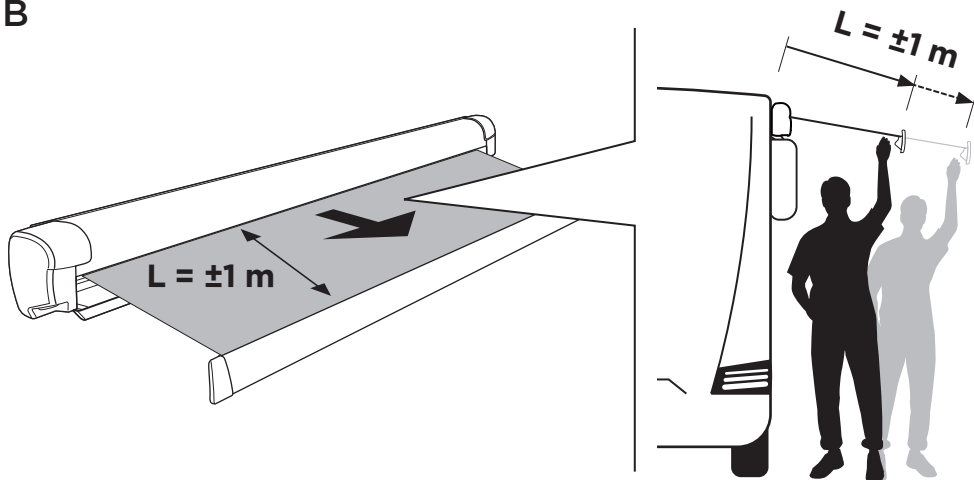


2 OPEN

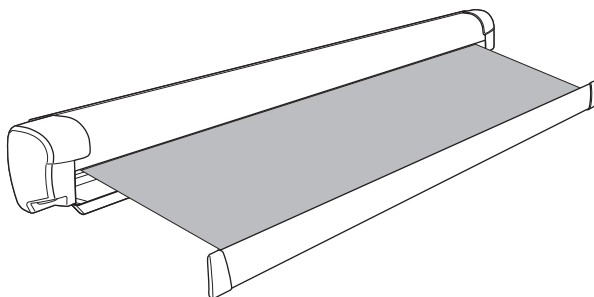
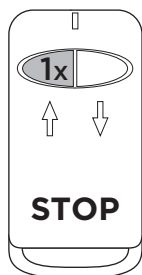
1



B

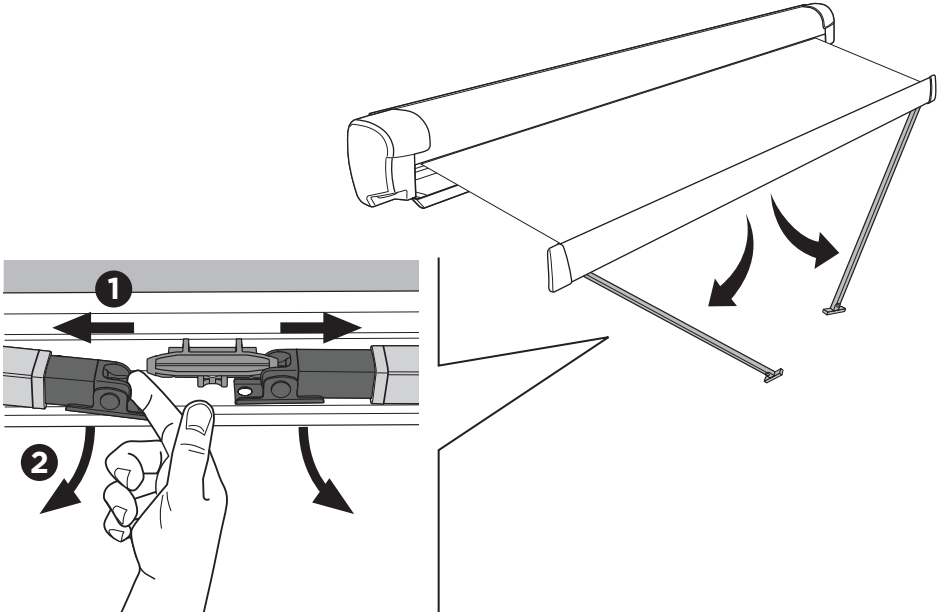


C

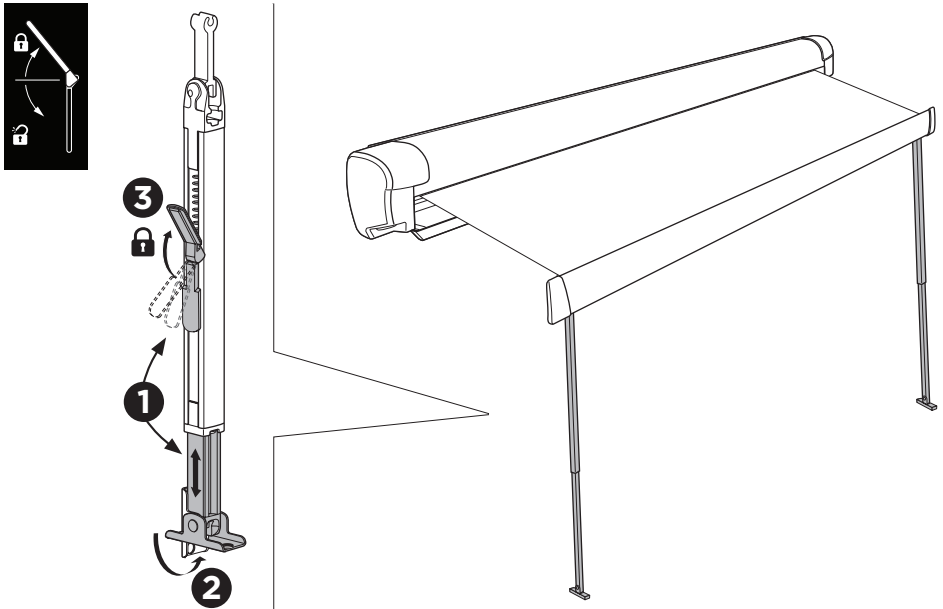


2

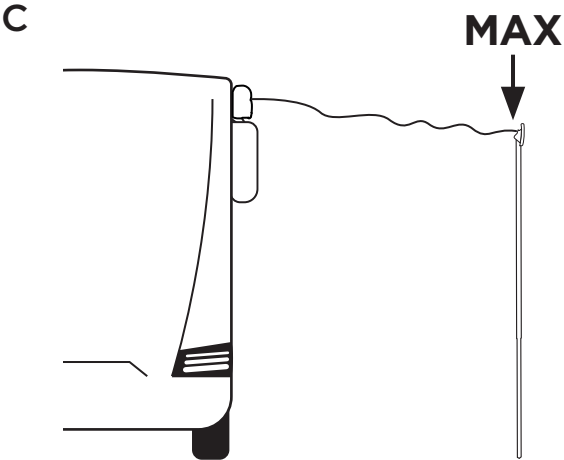
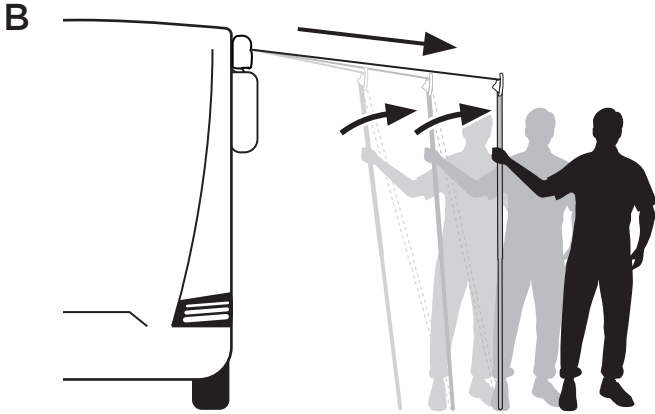
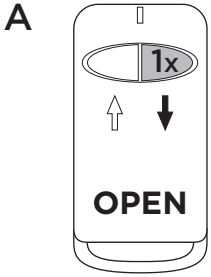
A



B



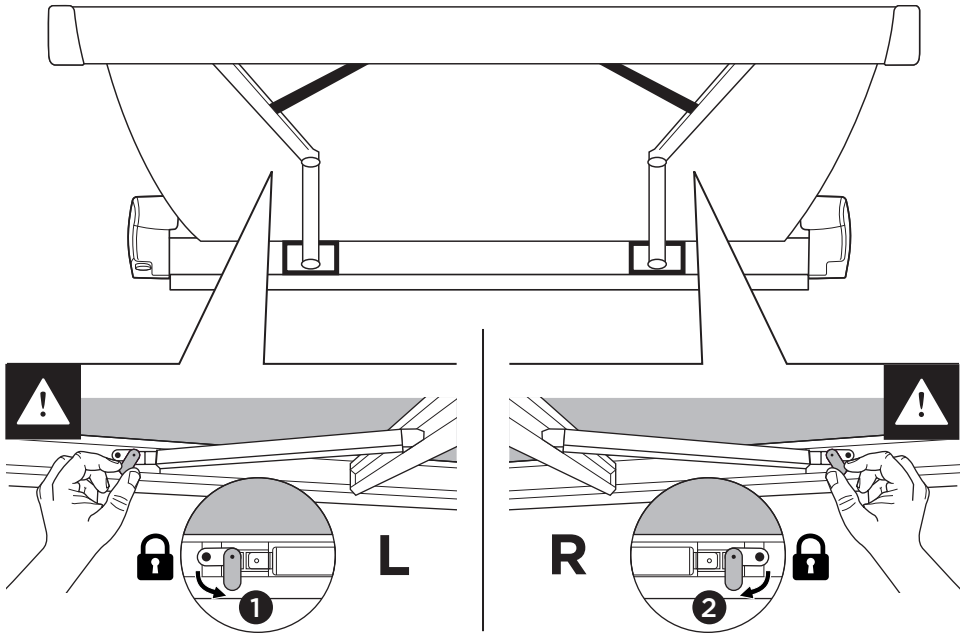
3



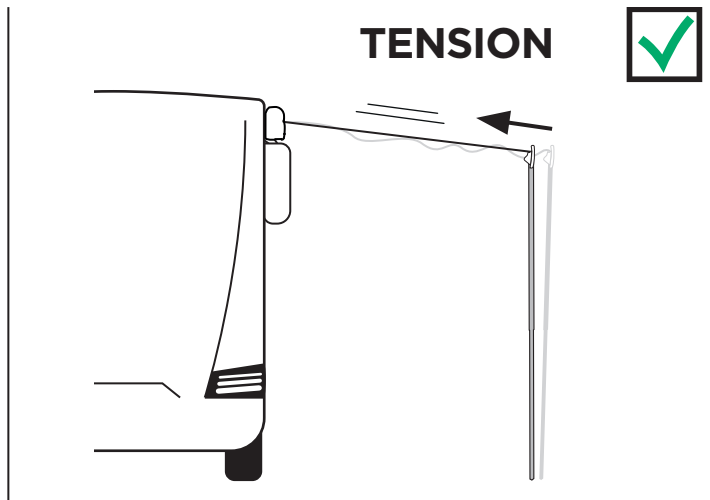
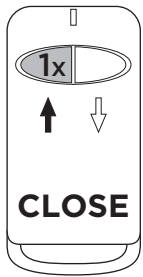
AUTOMATIC



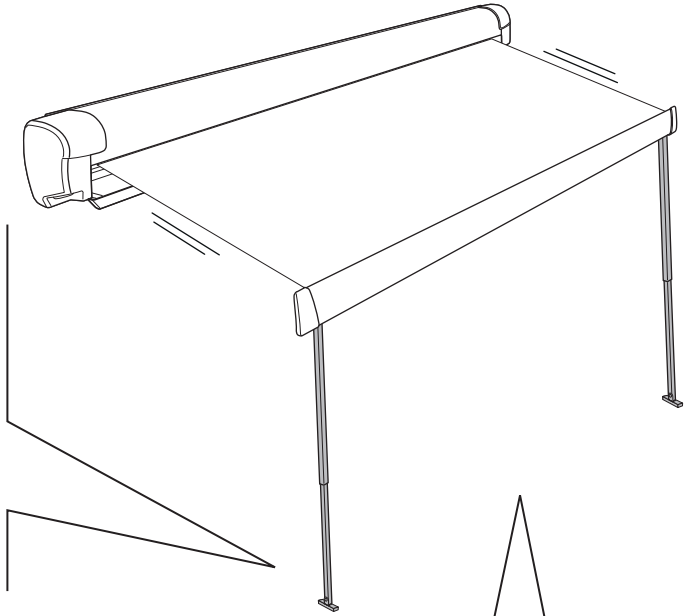
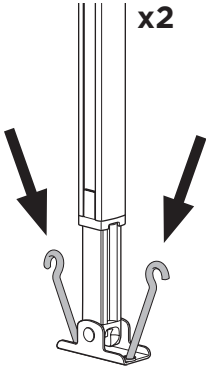
D



E

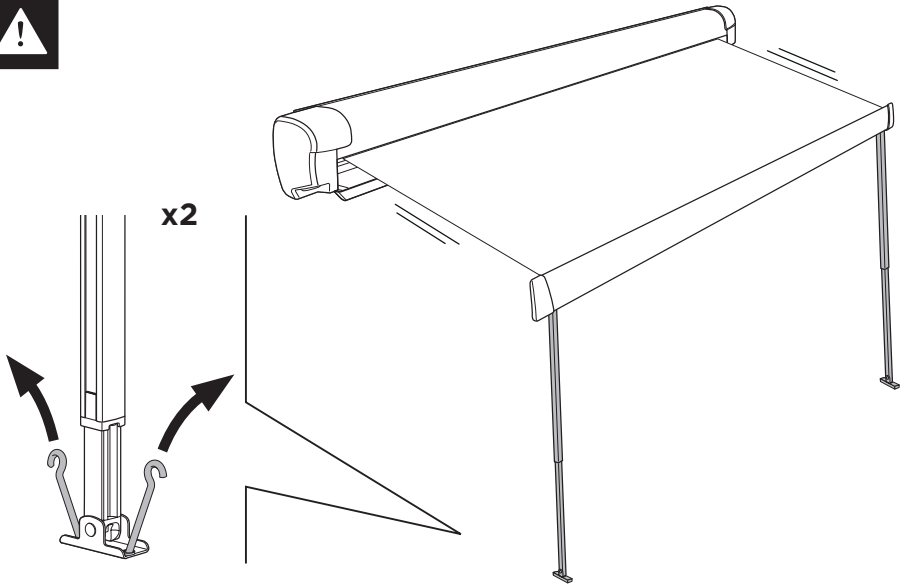


4



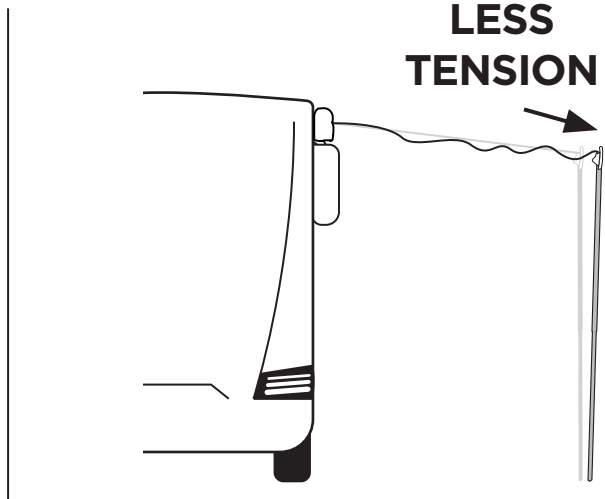
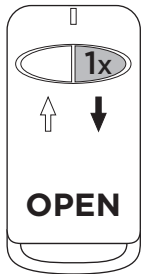
3 CLOSE

1

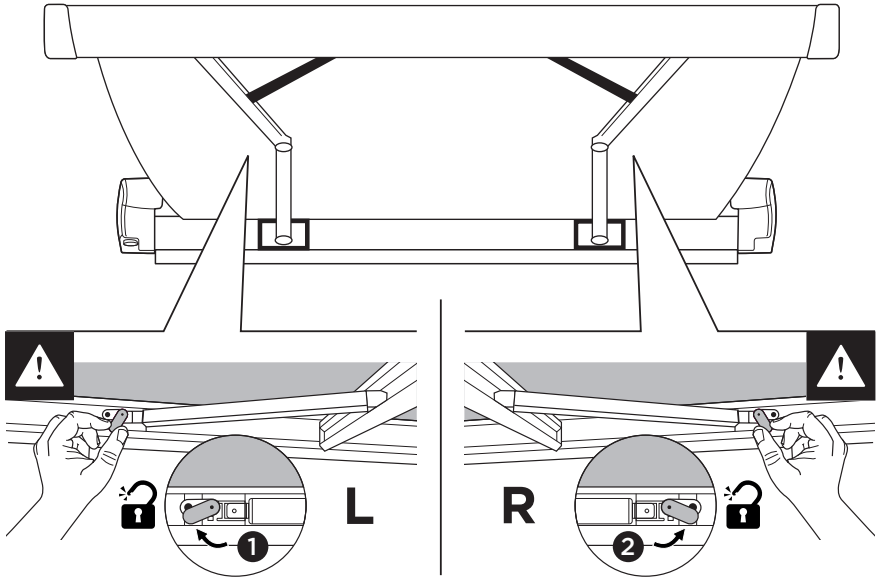


2

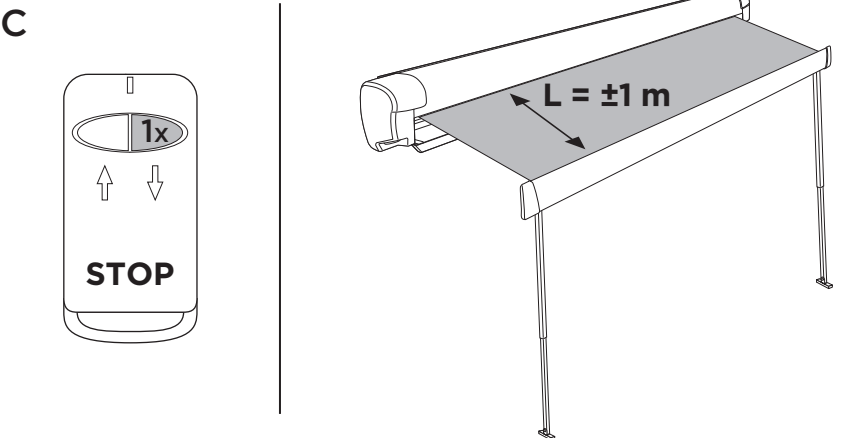
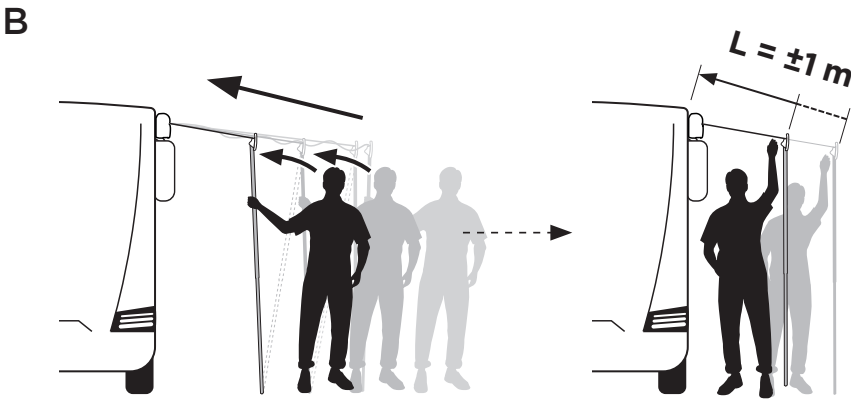
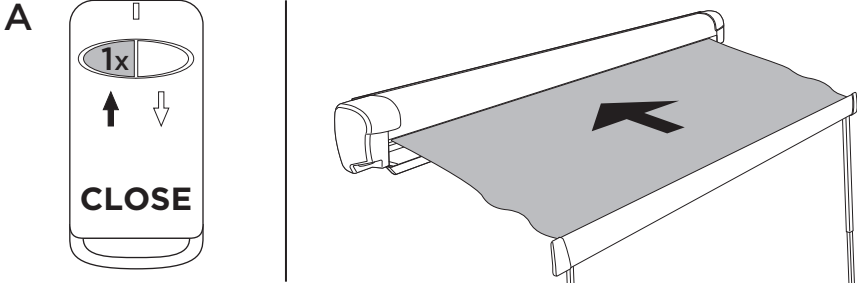
A



B

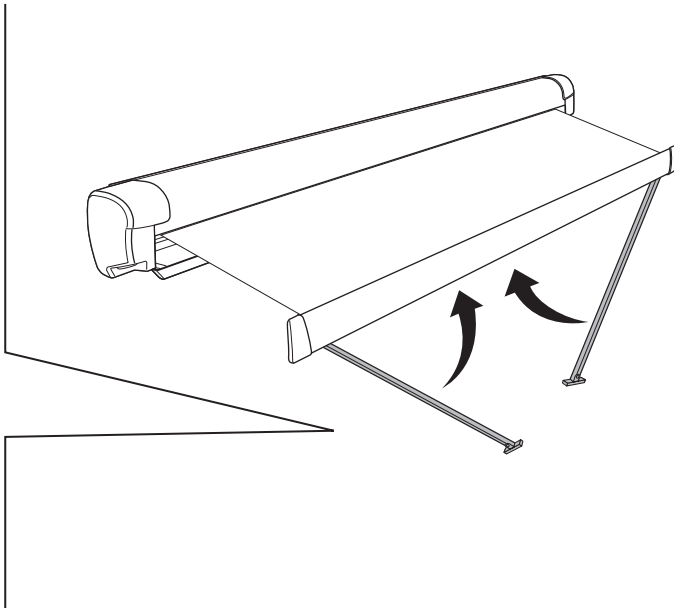
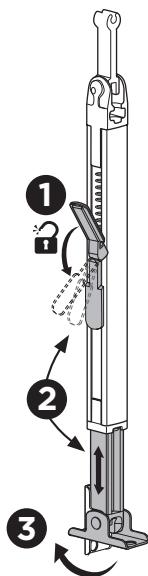
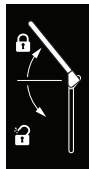


3

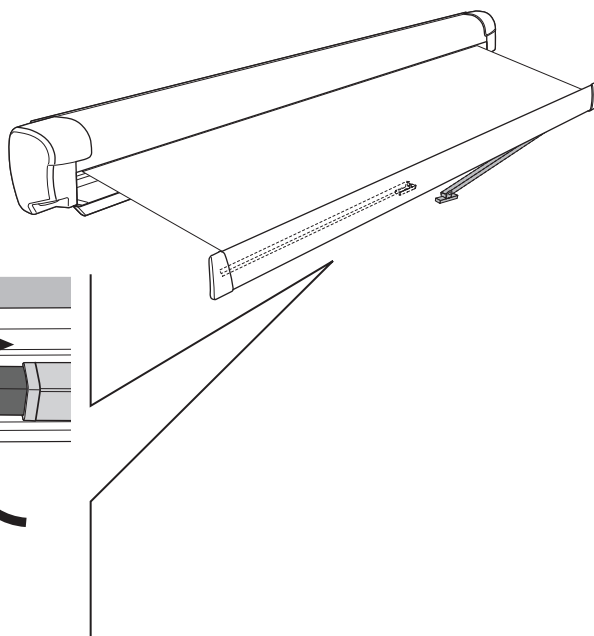
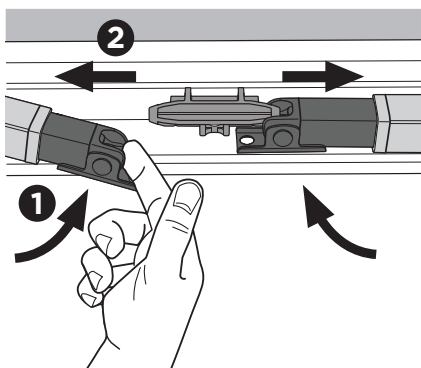


4

A

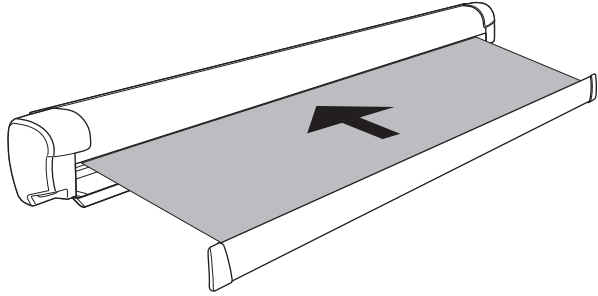
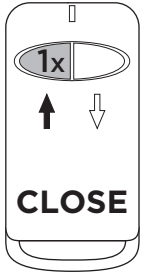


B

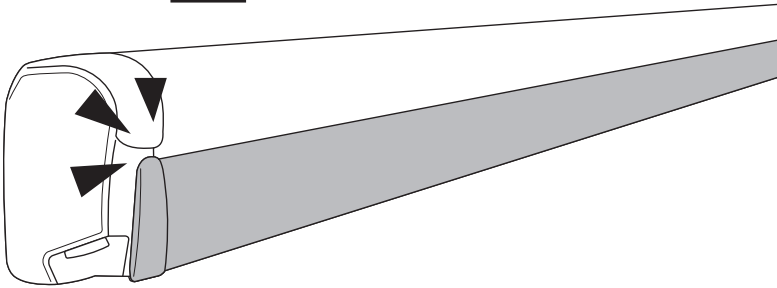


5

A

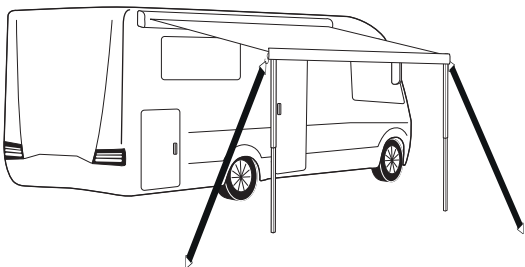


B

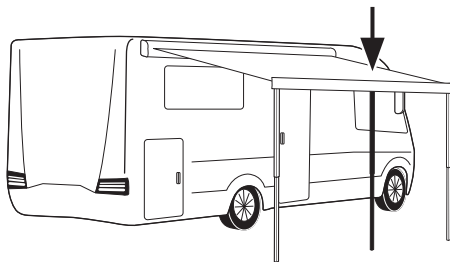


4 ACCESSORIES

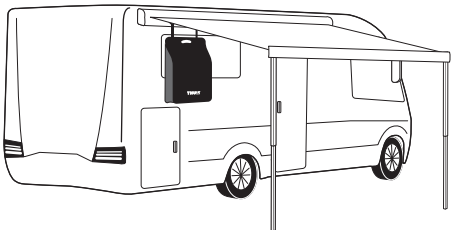
Thule Hold Down Side Strap Kit (307916)



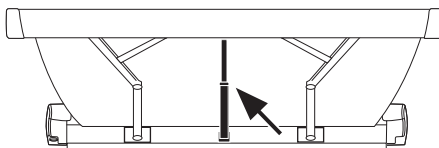
Thule 3rd Support Leg (306778)



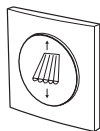
Thule Wall Organizer (306924) / Shoe Organizer (306925)



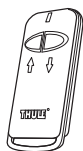
Thule Tension Rafter G2 (307313)



Thule Switch 230V motor (1500603578)



Thule Remote Control 230V motor (1500603579)



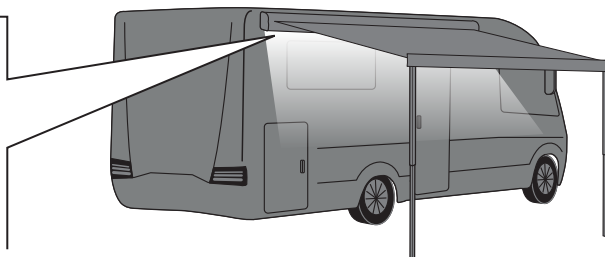
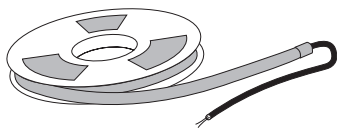
Thule PVC Cleaner (307585)



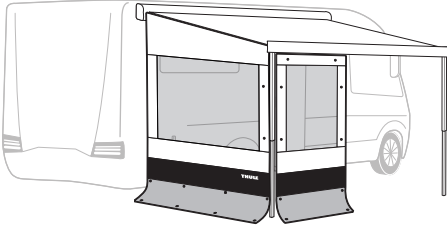
Thule Fabric Clamps (309698)



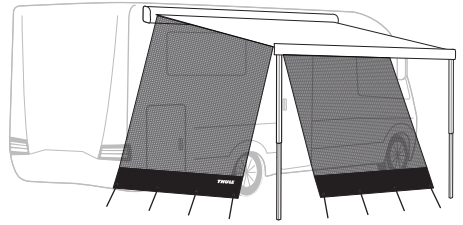
Thule LED Strip (307135-...)



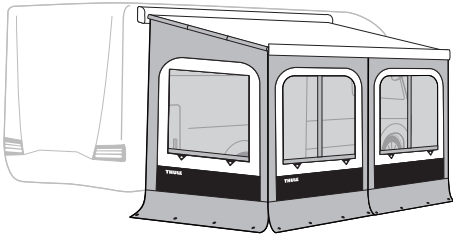
Thule Rain Blocker G2



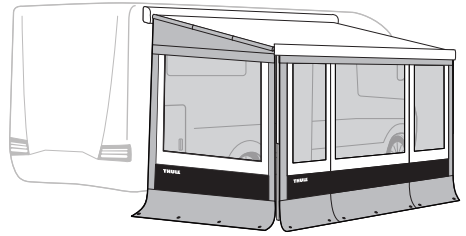
Thule Sun Blocker G2



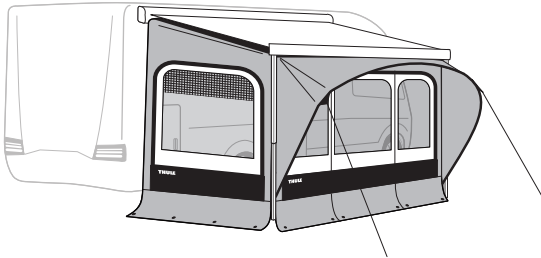
Thule Panorama



Thule Residence G3



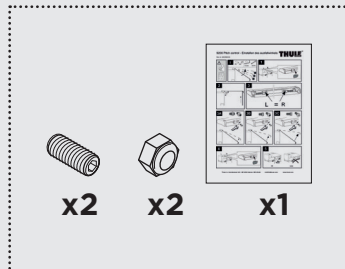
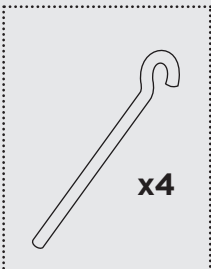
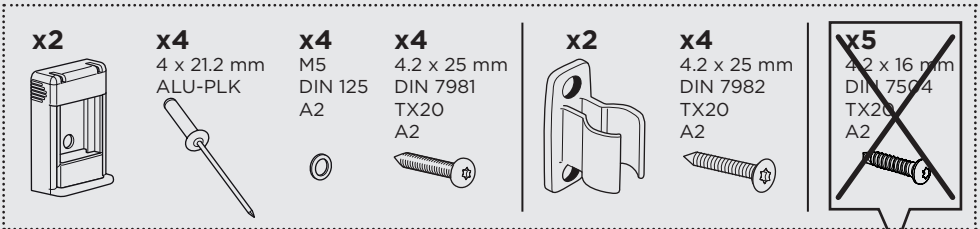
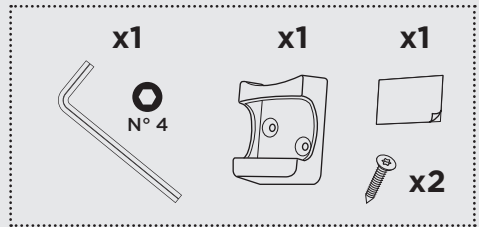
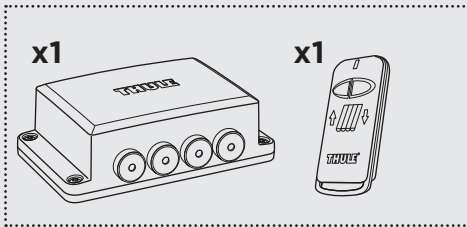
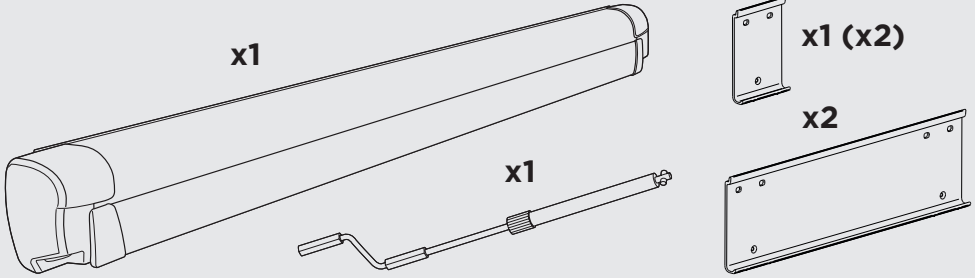
Thule QuickFit

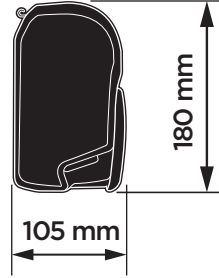
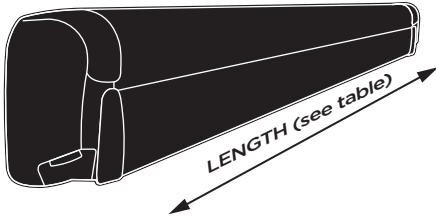


INSTALLATION

1 CONTENT

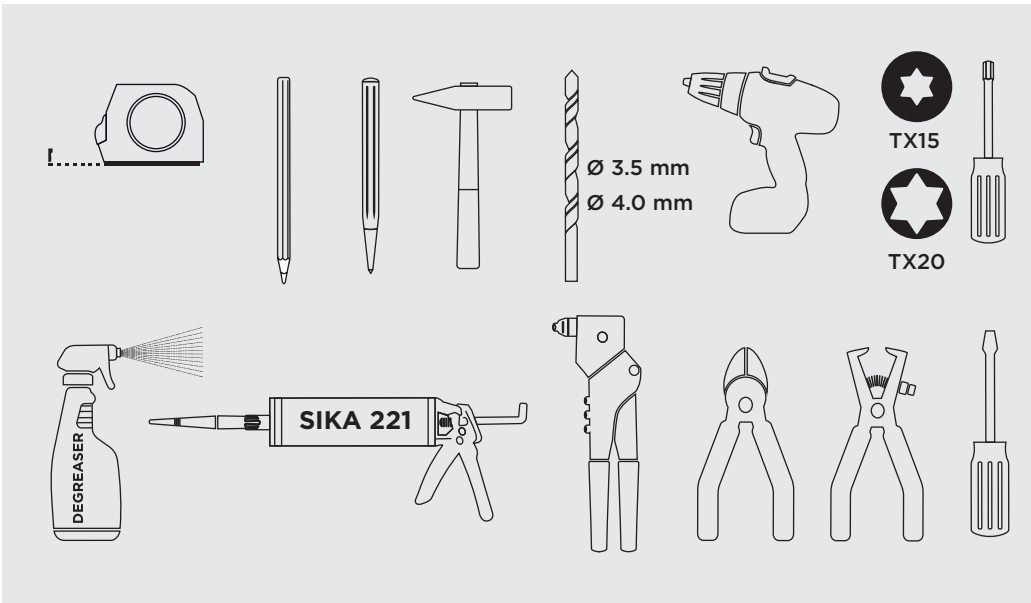
AWNING



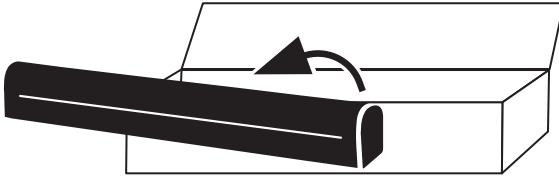
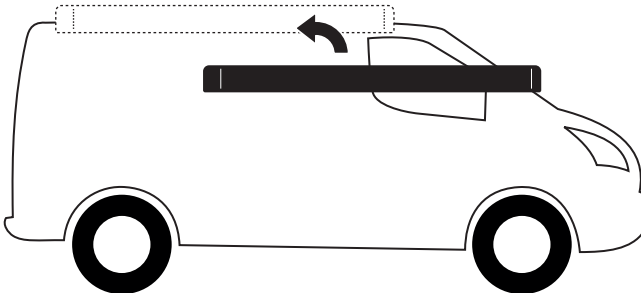
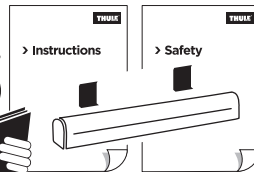


	4.00 m	4.50 m	5.00 m	5.50 m	6.00 m
	43.56 kg	46.76 kg	50.36 kg	53.96 kg	57.56 kg

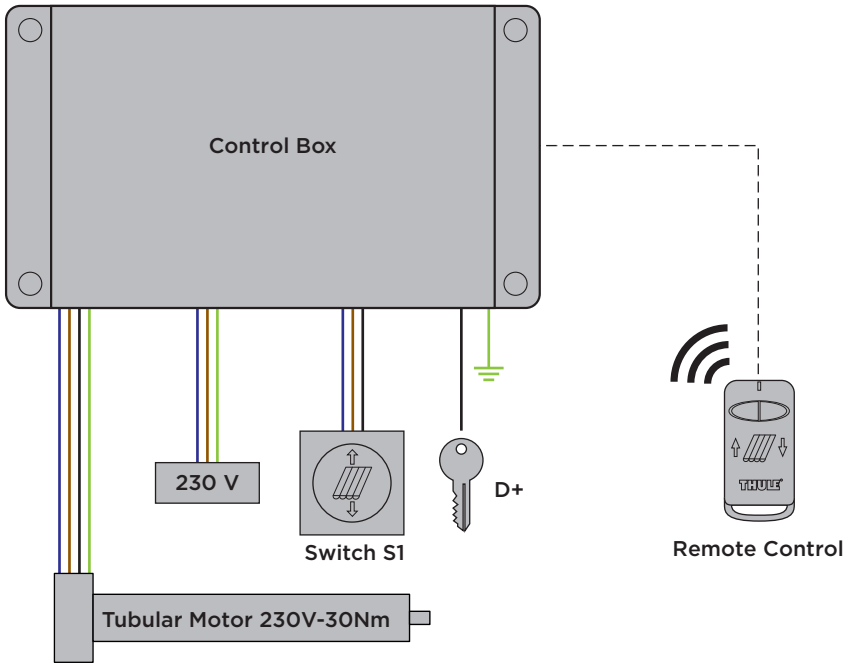
2 TOOLS



3 AWNING INSTALLATION

1**2****?**

4 ELECTRICAL INSTALLATION



THULE TUBULAR MOTOR EM-230V TECHNICAL SPECIFICATIONS

Supply	230V AC / 50 Hz
Rated Power	191 W
Maximum Power	400 W
Current	0.83 A
Rated Torque	30 Nm
Rated Speed	15 rpm
Mechanical Limit Setting	✓
Emergency Manual Operation	✓

THULE REMOTE CONTROL TECHNICAL SPECIFICATIONS

Frequency	434 MHz
Range	up to 200 m
Battery	CR 2032

THULE CONTROL BOX TECHNICAL SPECIFICATIONS

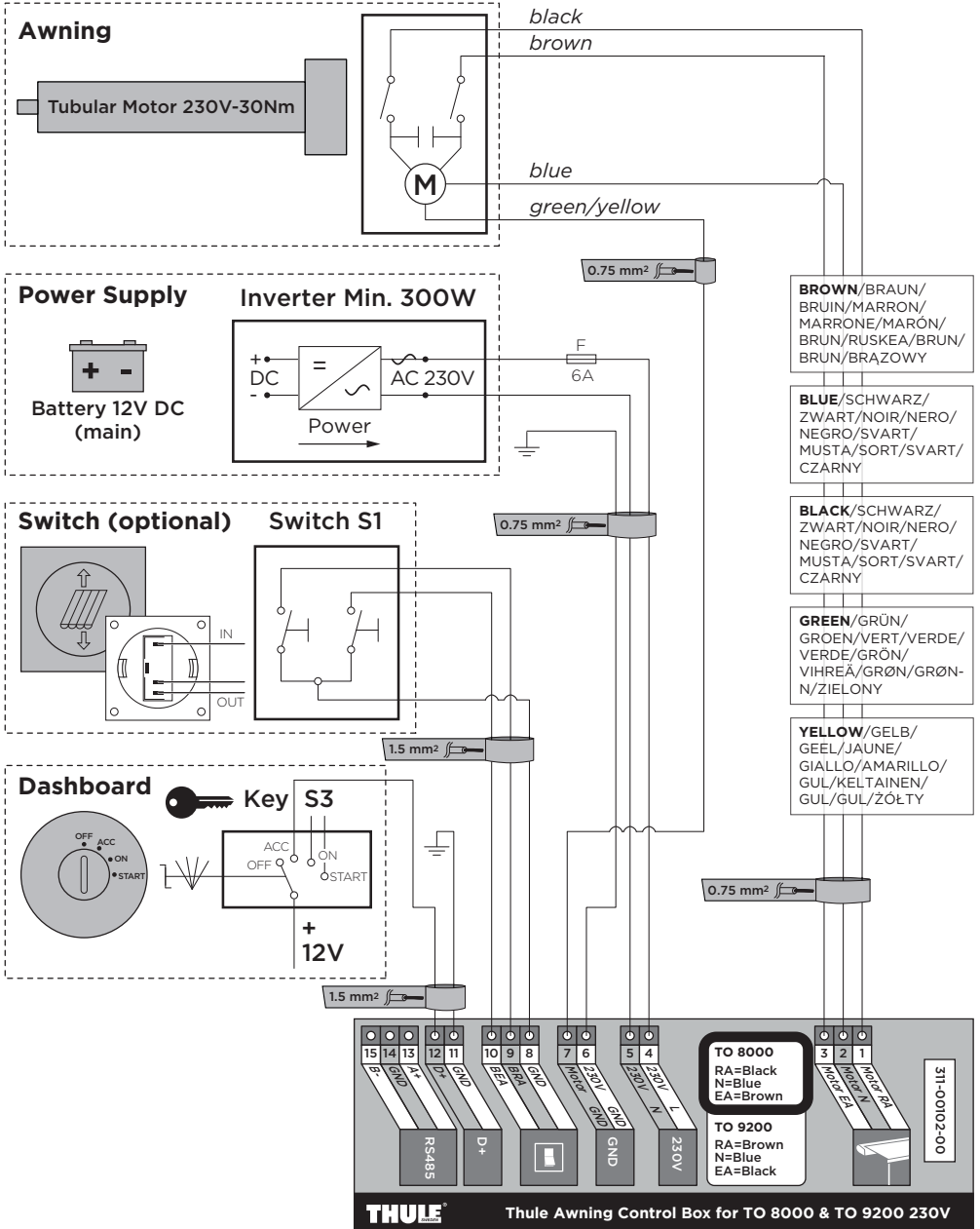
Supply	230 V AC / 50 Hz
Maximum Voltage	264 V AC
Sleep Consumption	1.05 W
Storage Temperature Range	-40°C to +70°C
Operation Temperature Range	-25°C to +70°C
IP classification	IP 32
Noise	< 70 dB (A)
Fuse	T 3.15 A H 250 V
D+ IN	12 V - 30 V DC

INVERTER - MIN. 300 W TECHNICAL SPECIFICATIONS

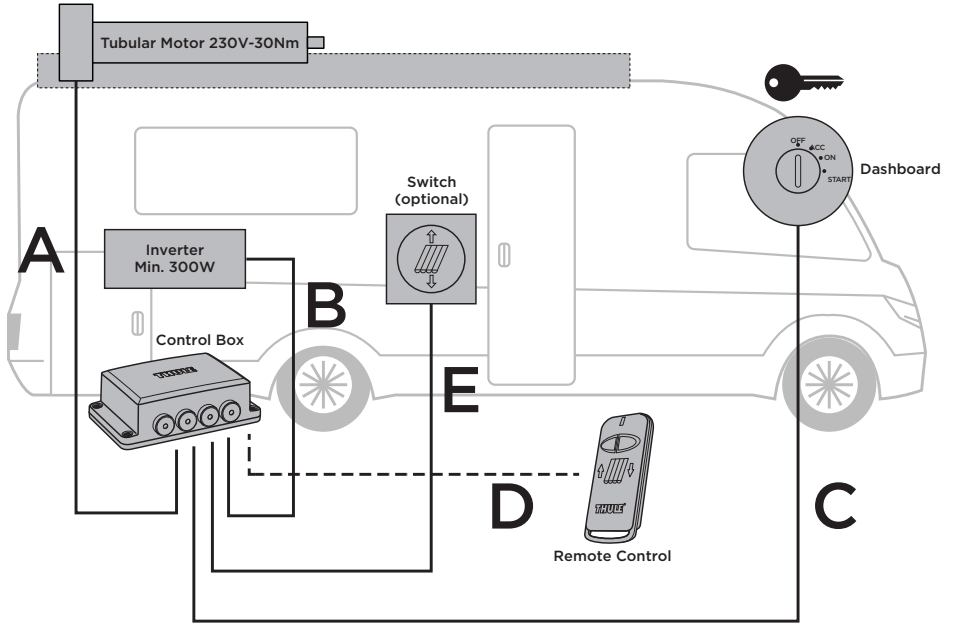
IN	10 V - 15 V DC / 20 V - 30 V DC
OUT	230 V AC / 50 Hz
Power	300 W (continuously)
Maximum Power for rectangle wave: min. 90 %	600 W
Protection Function	✓

1 Electrical Wiring diagram

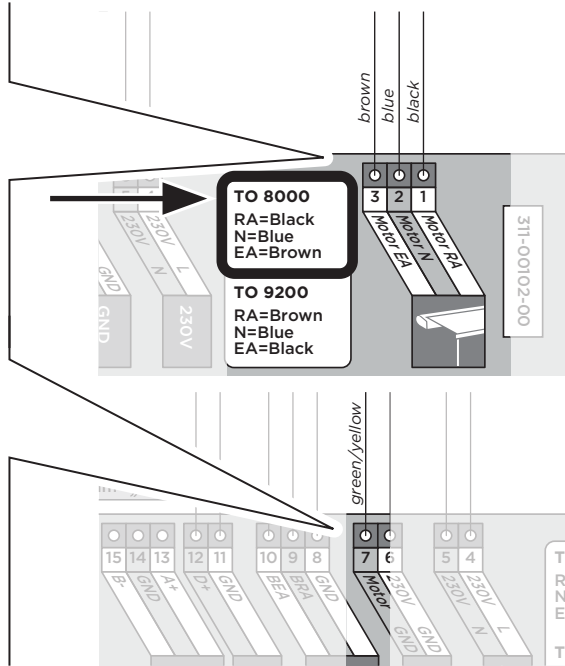
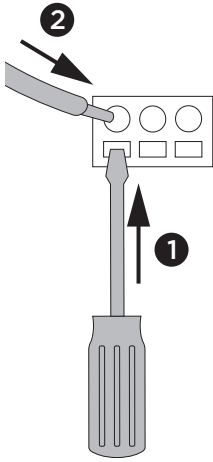
THULE AWNING TO 8000 - EM 230V



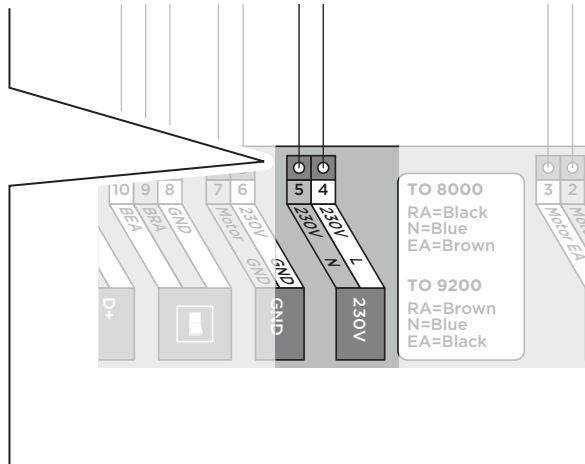
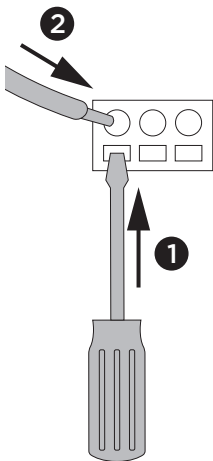
2 Connect to Control Box



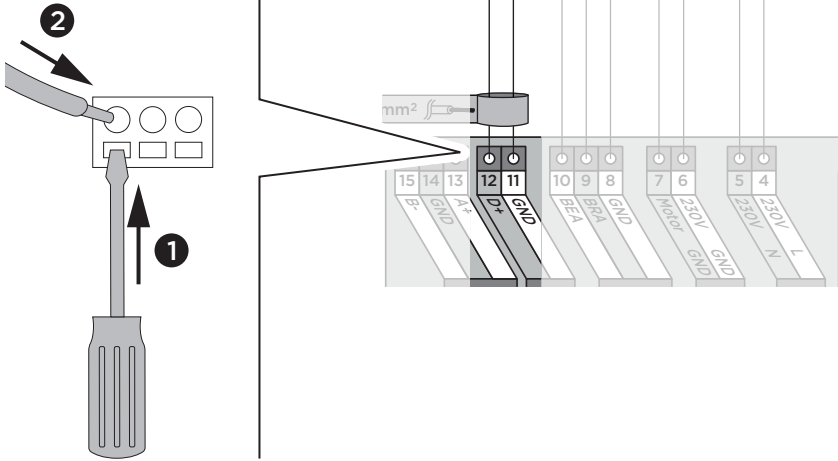
A Motor Awning



B Inverter

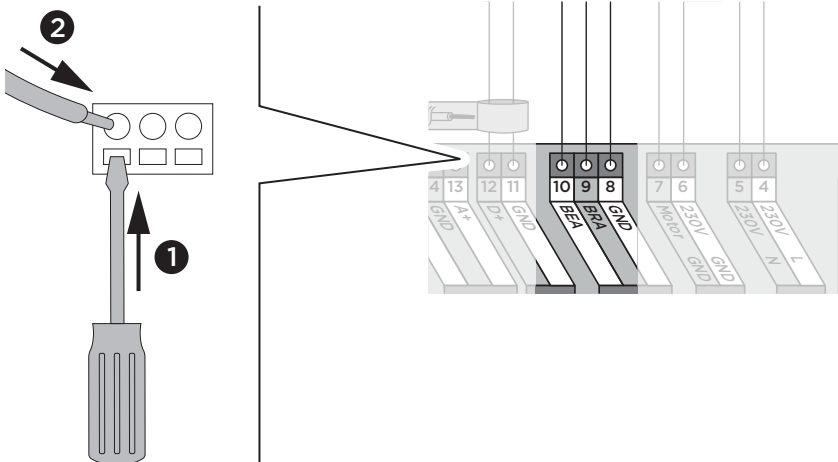


C Dashboard



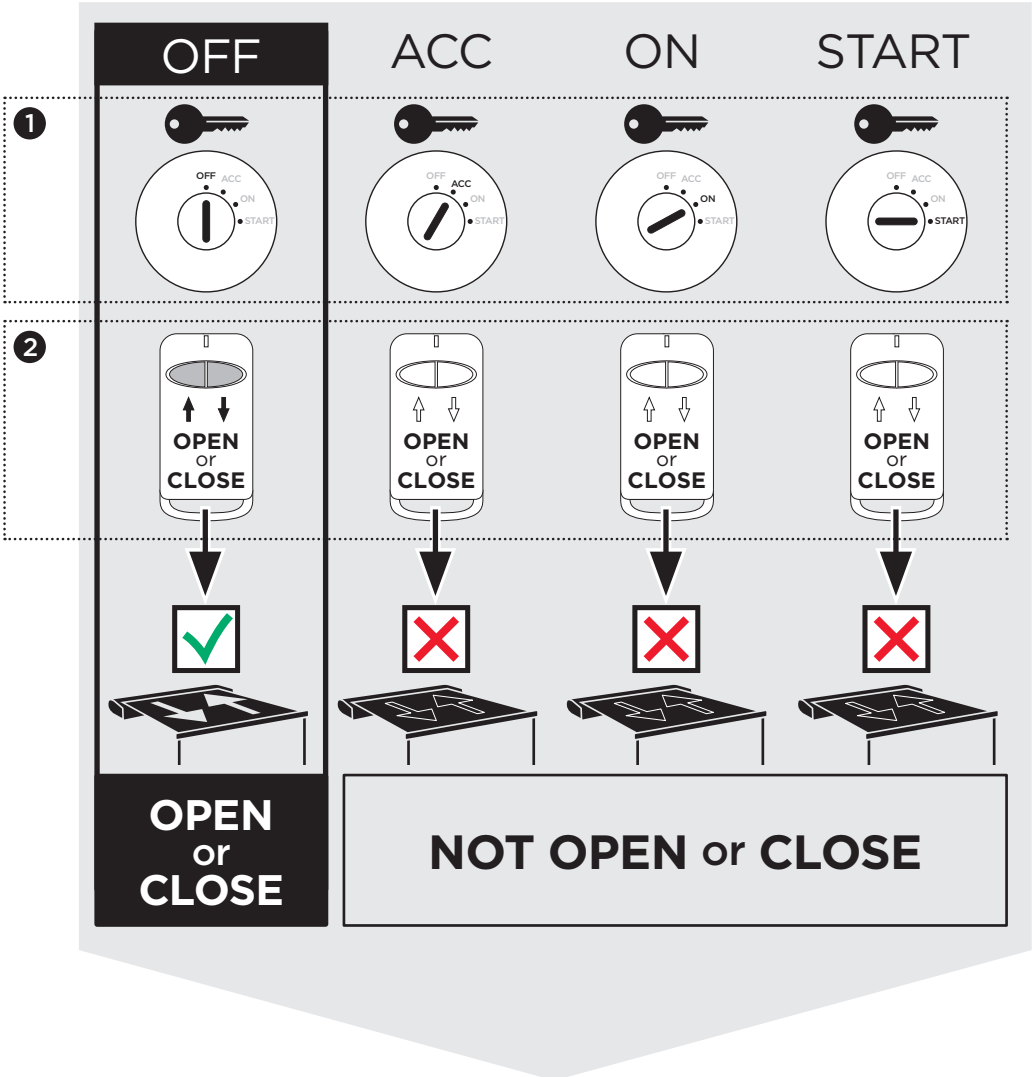
D Remote Control

E Switch (optional)



3

Check !



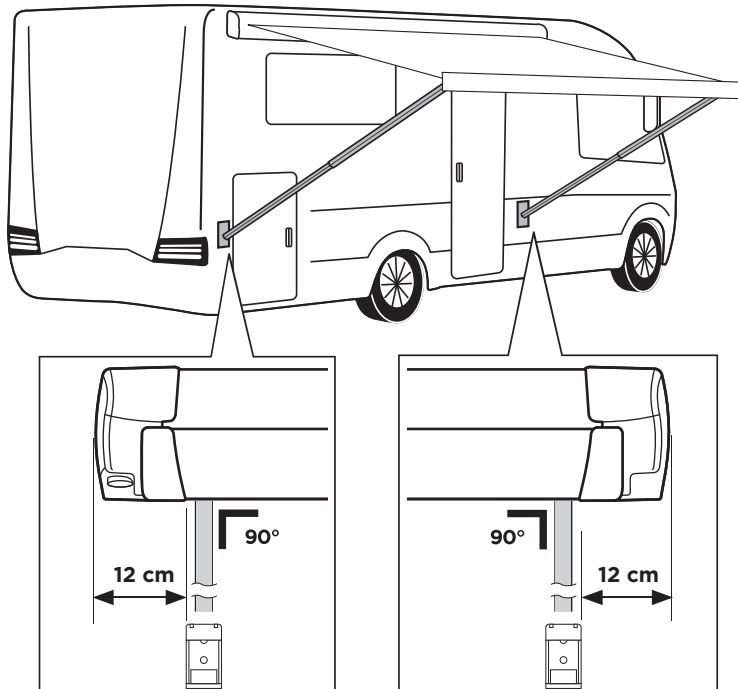
TRUE ?

YES



5 FOOT SUPPORT INSTALLATION

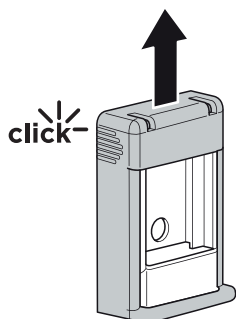
i



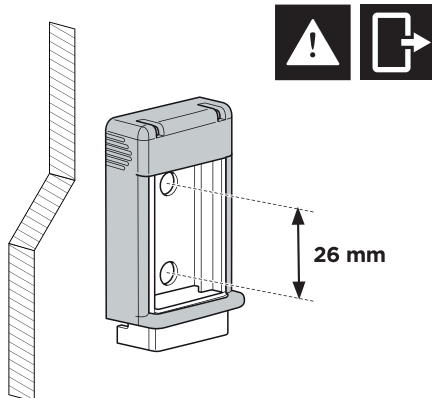
1



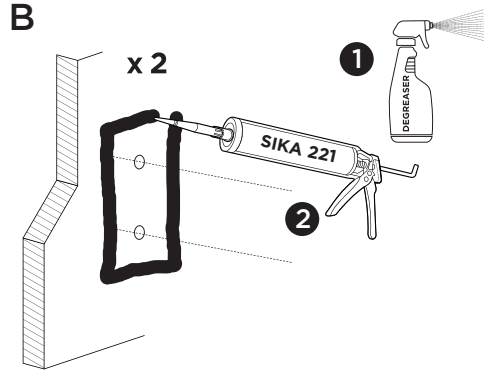
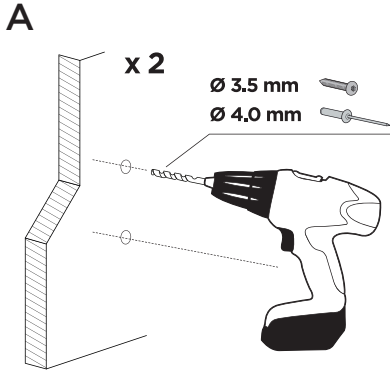
A



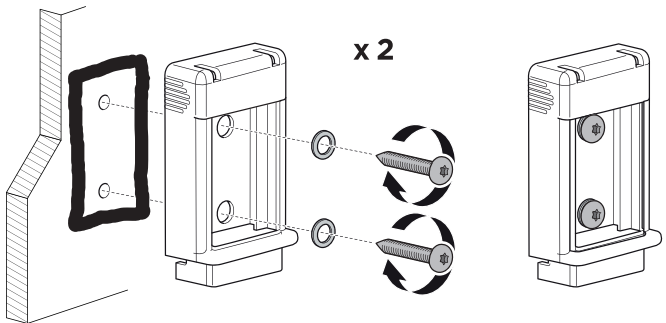
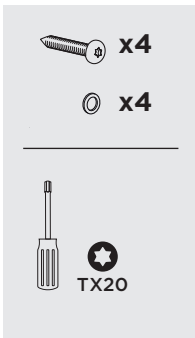
B



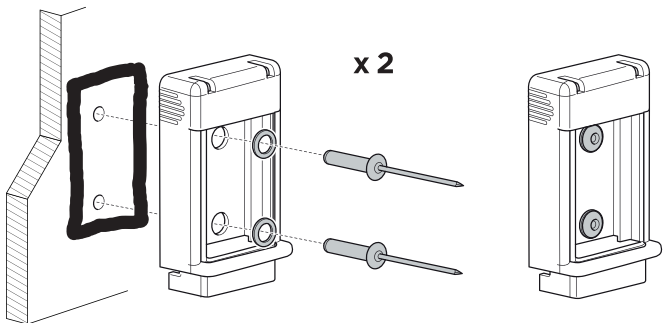
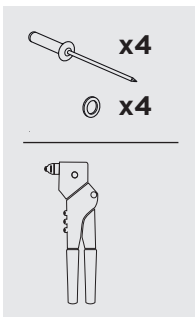
2



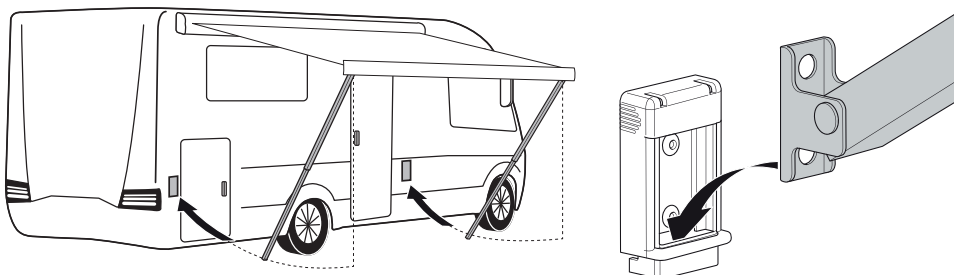
3



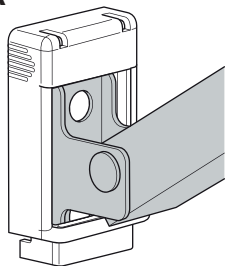
OR



4

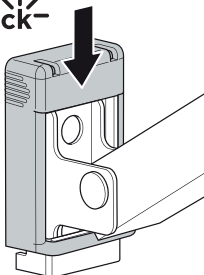


A

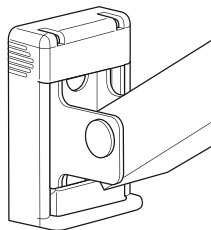


B

click-

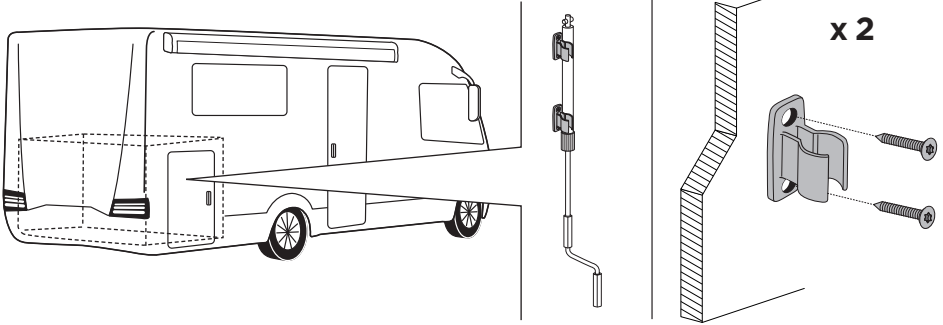


C



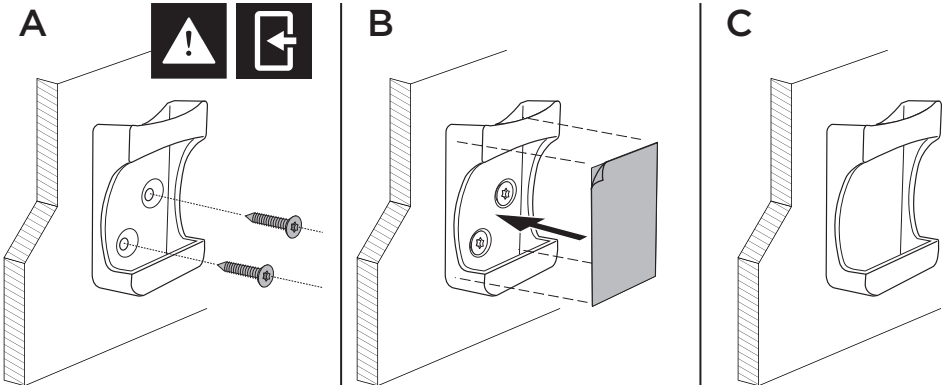
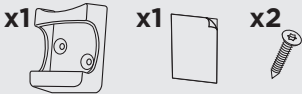
6 HAND CRANK SUPPORT INSTALLATION

1



7 REMOTE CONTROL SUPPORT INSTALLATION

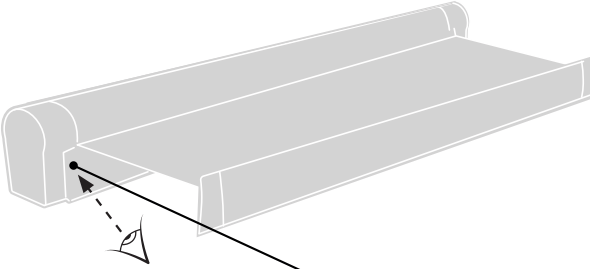
1



TROUBLESHOOTING

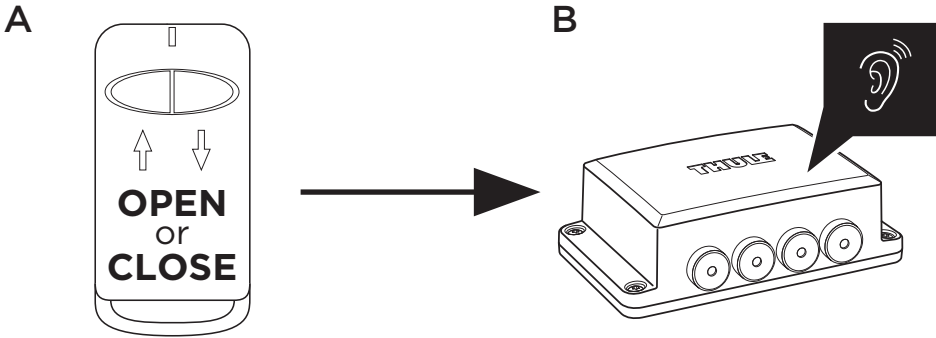
1 CHECK PRODUCT INFO

Thule Omnistor 8000



- 1 Product number: 30xxxx
.....
- 2 Product description:
.....
- 3 Date: dd/mm/yy
.....

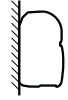
2 WHAT IF THE AWNING DOESN'T WORK ?



ERROR CODE (beeps)	Cause	Solution	
.... (4)	Power supply too low ($U < 200V$)	Check battery, inverter and electrical wiring.	p 38
..... (5)	Power supply too high ($U > 250V$)	Check battery, inverter and electrical wiring.	p 39
30 sec. -----	Ignition Key (D+) is active	Place ignition key OFF.	p 40
..... (9)	Thermal protection of the motor	Let the motor cool down!	p 40
	Power supply, battery, inverter and electrical wiring	Check battery, inverter and electrical wiring Emergency Manual Operation	p 38 p 37
	Remote control doesn't work or is lost	See ...	p 41
	'Up' and 'Down' Limit setting are not OK	See ...	p 42
	Other ...	Contact dealer!	p 44

3 WHICH MOTOR 230V IS USED IN THE AWNING ?

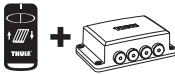
**WALL
MOUNTING**



Thule Omnistor

8000

**FABRIC
ROLL UP DIRECTION**



- 1** Check **electrical power** connection to the motor:
With the main power 230V **OR**
With inverter (300W) to make 230V
- 2** **POWER OFF / WAIT 5 sec. / POWER ON**

**NO
MOVES**

**NO
BEEPS**

MOVES



BEEPS



Model name:

DIAM 45 M

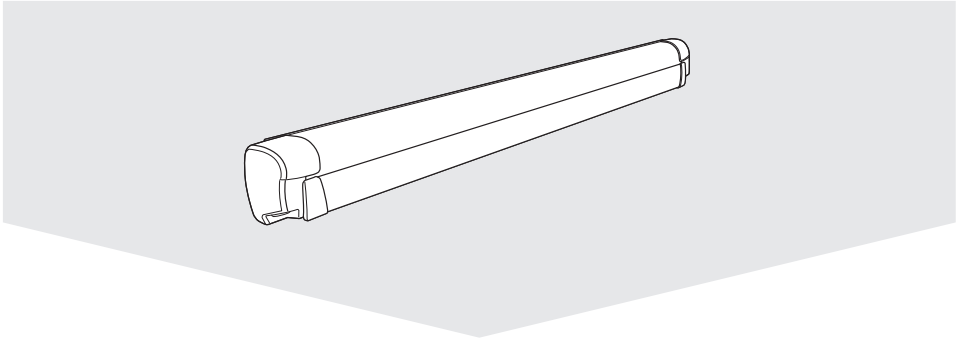
Manufacturer: **NICE**
Model name:

ERA FIT MHT

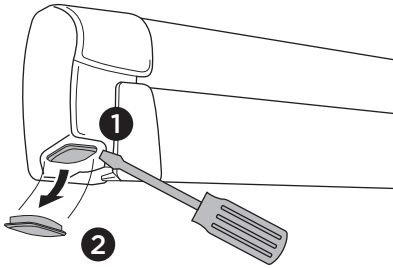
Manufacturer: **NICE**
Model name:

NEO MAT MHT

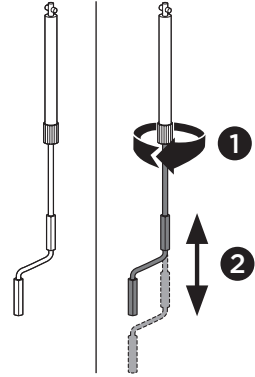
4 MANUAL OVERRIDE



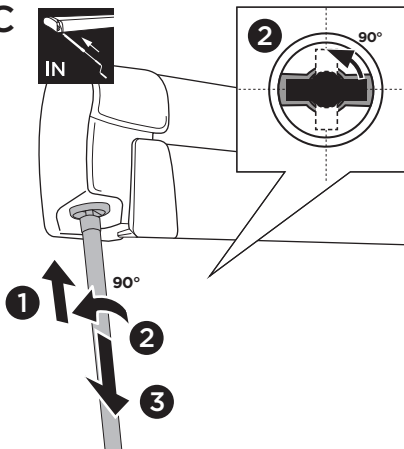
A



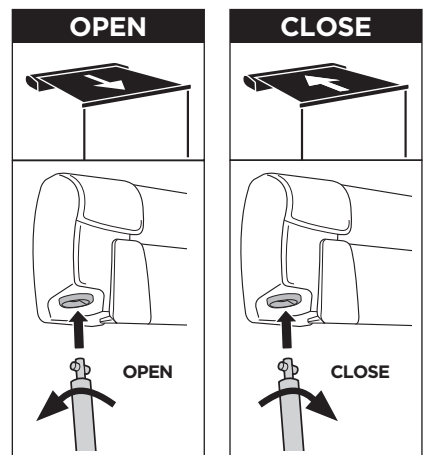
B



C



D



5 POWER SUPPLY TOO LOW (U < 200V)



< 200 V

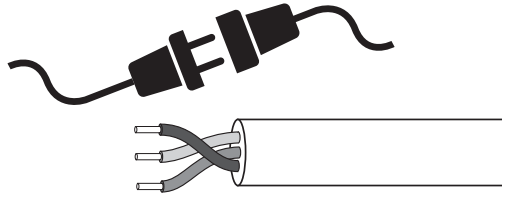
A



OK ?



OK ?



OK ?

OR / AND

B







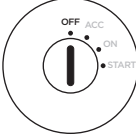
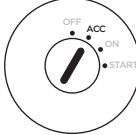
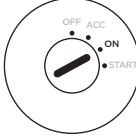
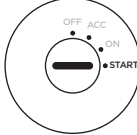








CAMPING




INVERTER


6 POWER SUPPLY TOO HIGH ($U > 250\text{V}$)**> 250 V****OK ?****OK ?**


7 IGNITION KEY (D+) IS ACTIVE

OFF	ACC	ON	START
			
			
			
			
OPEN or CLOSE	NOT OPEN or CLOSE		

8 THERMAL PROTECTION OF THE MOTOR


MOTOR
 USE AWNING
> 4 min.

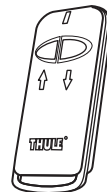



MOTOR
 MOTOR IS NOT WORKING!
 → THERMAL PROTECTOR

A



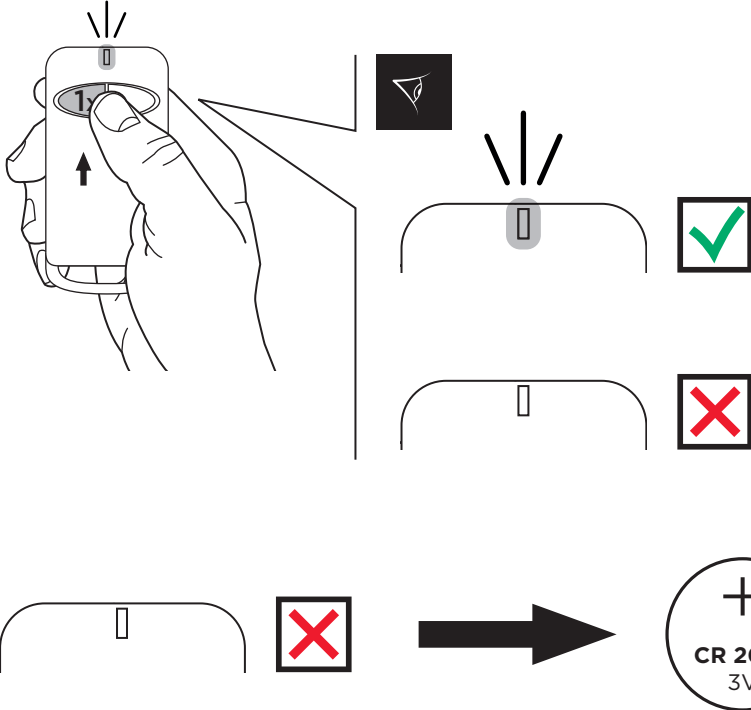
B



TRY AGAIN !

9 REMOTE CONTROL IS BROKEN OR LOST

A No signal (battery)

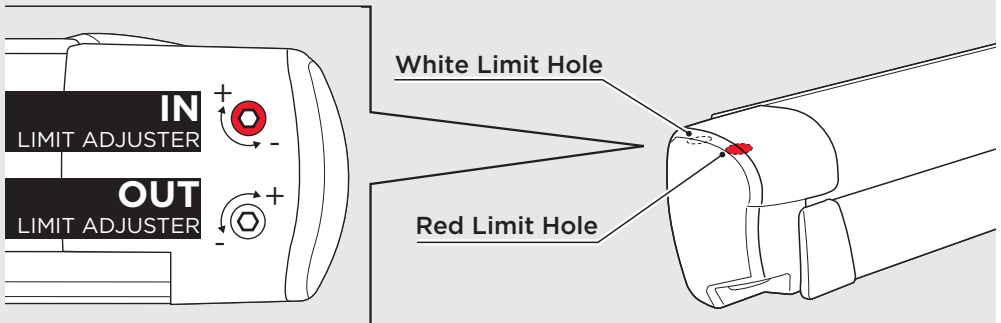
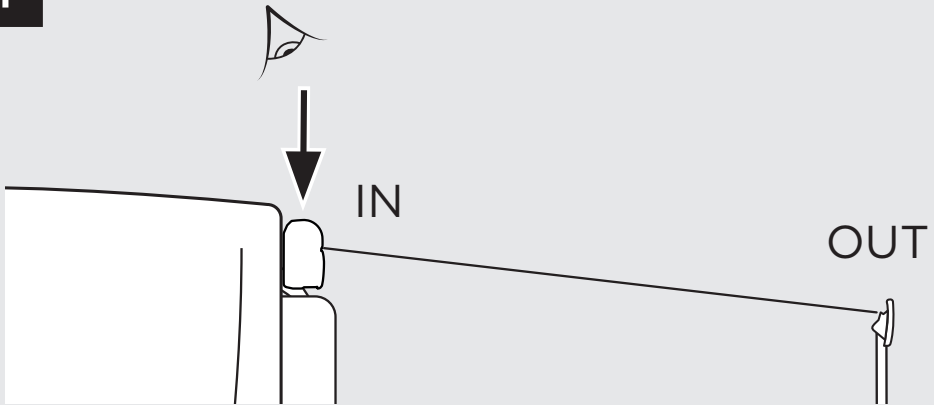
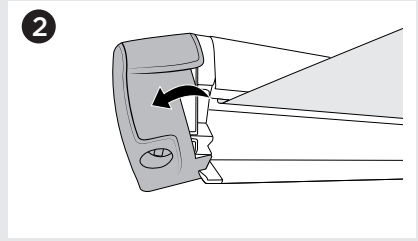
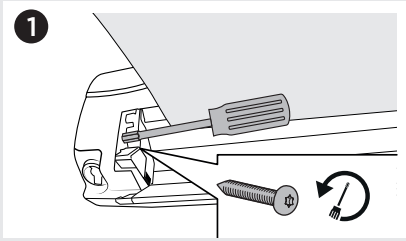


B

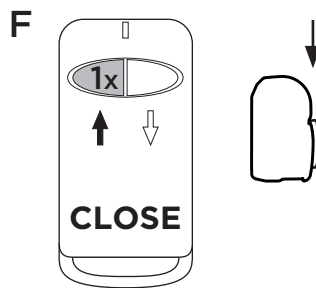
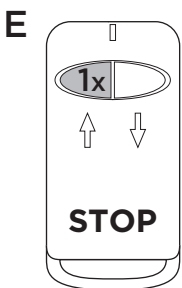
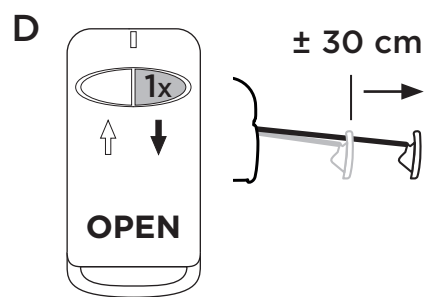
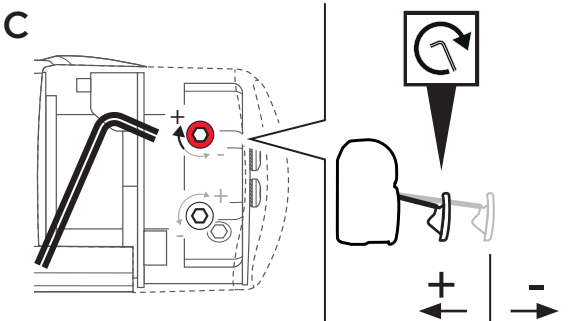
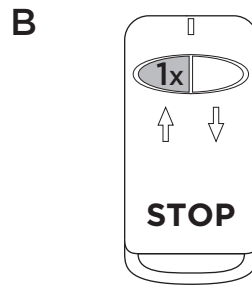
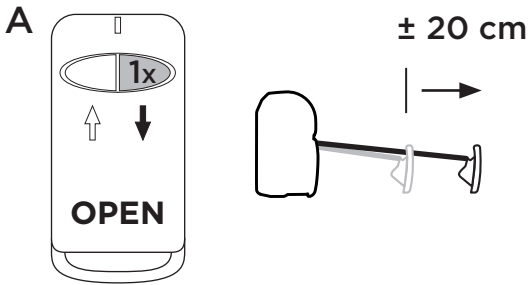
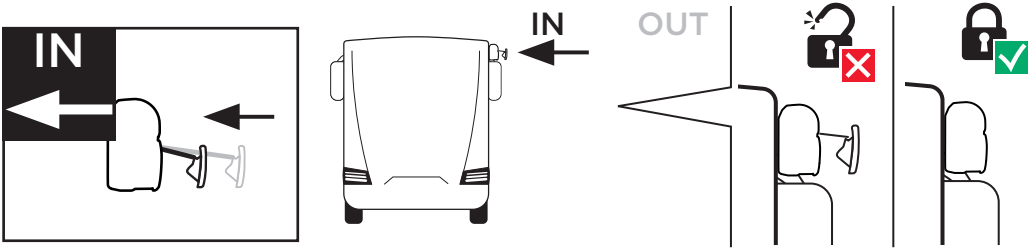
ORDER
New Remote Control

> Contact your dealer
part 1500603579

10 LIMIT SETTING (AWNING)



1 IN (Limit setting) - Awning does not close completely !

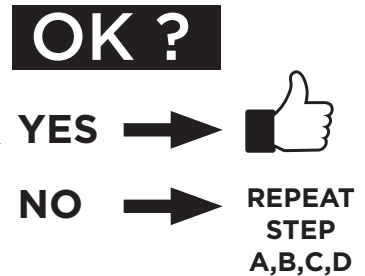
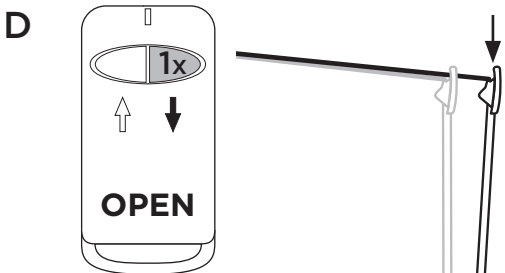
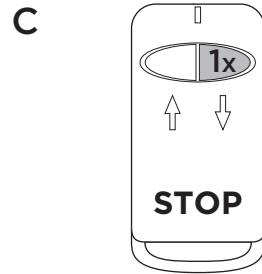
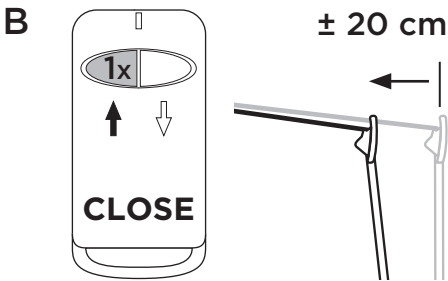
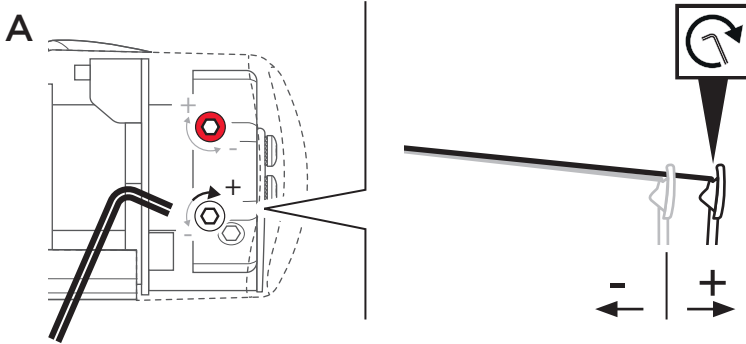
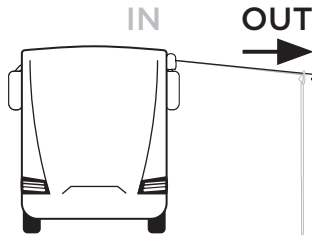
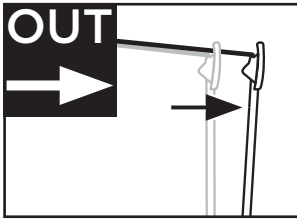


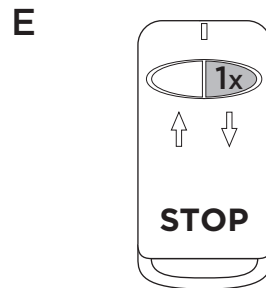
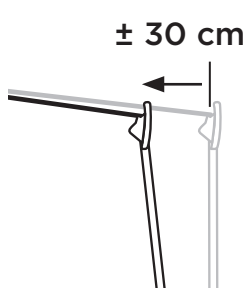
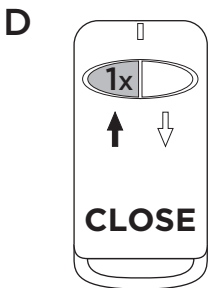
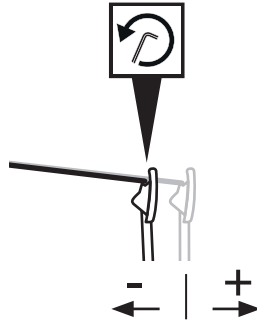
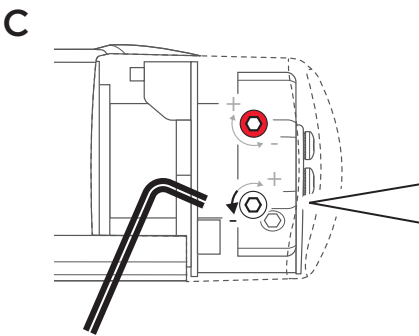
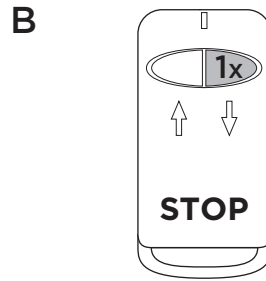
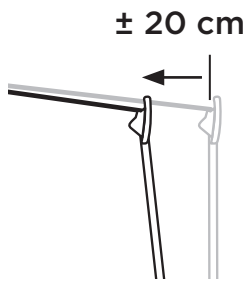
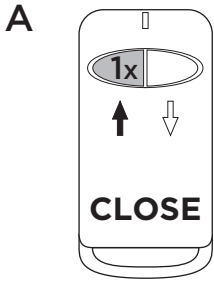
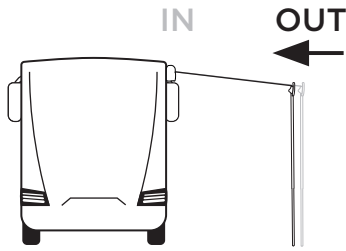
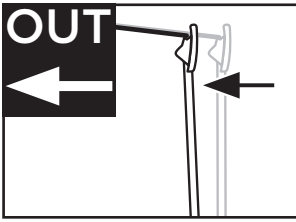
OK ?

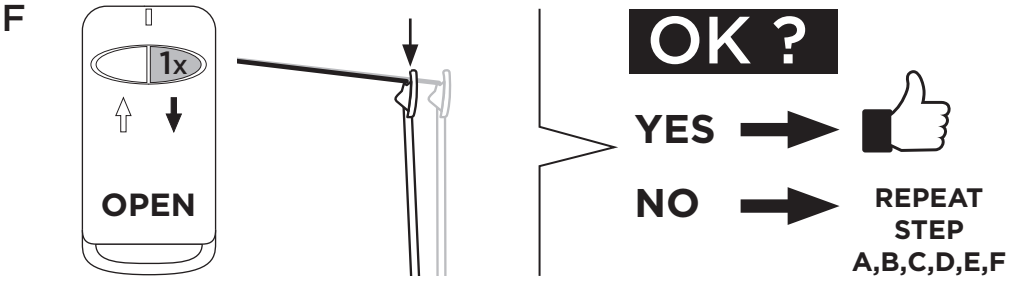
YES →

NO → **REPEAT STEP A,B,C,D,E,F**

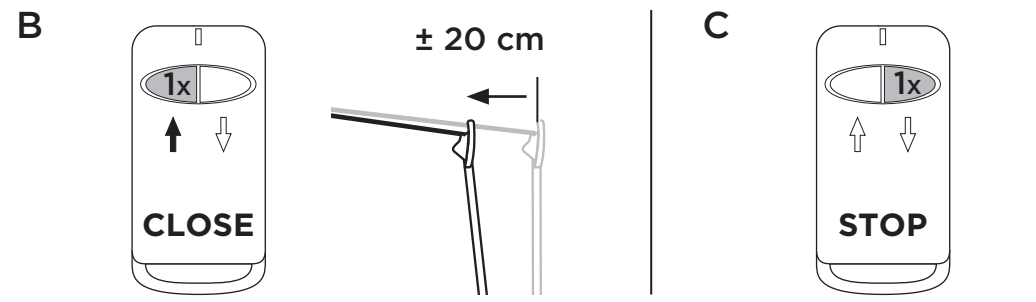
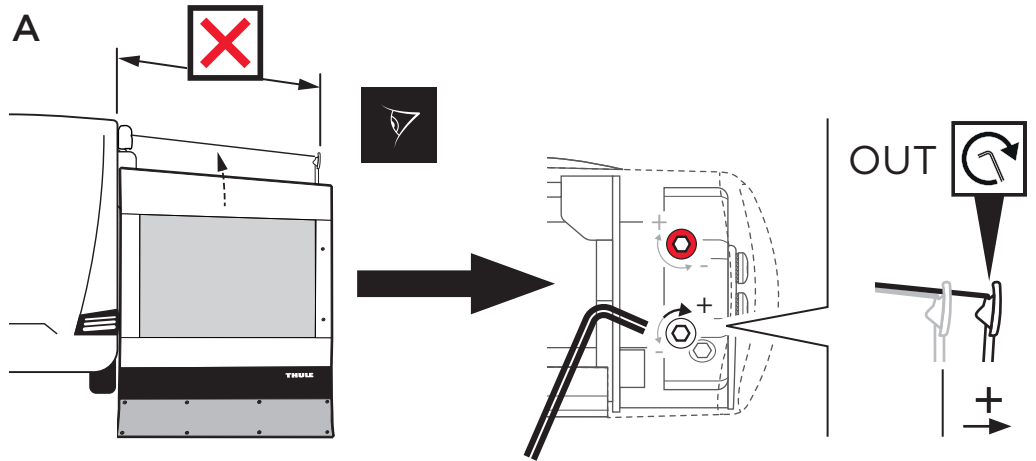
2 OUT (Limit setting)



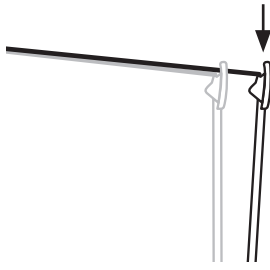
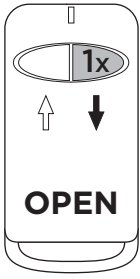




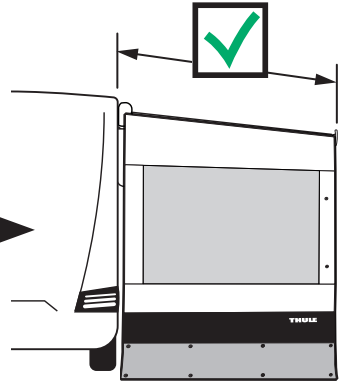
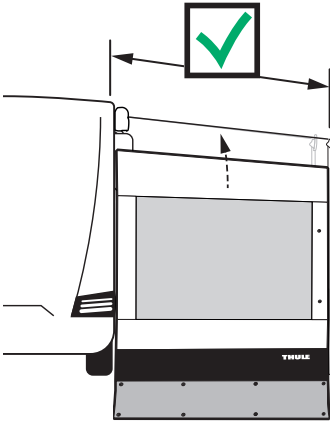
3 Example Smart Panel (Side)



D

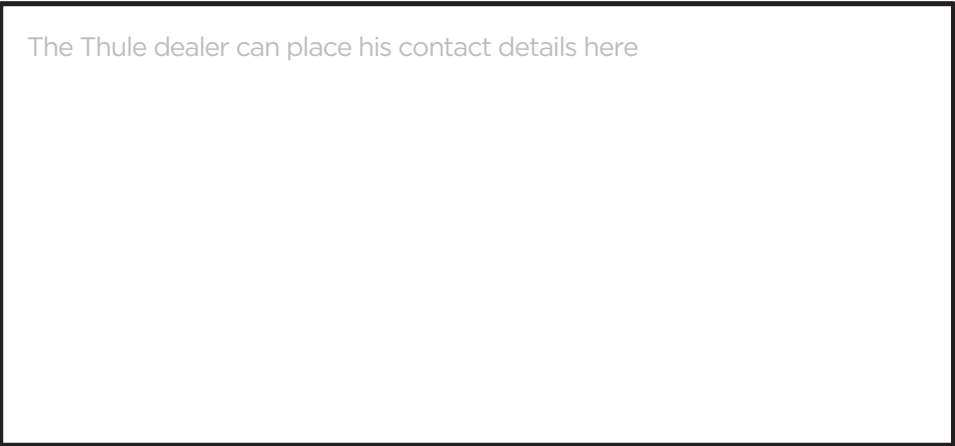
**OK ?**YES → NO → REPEAT
STEP
A,B,C,D

E

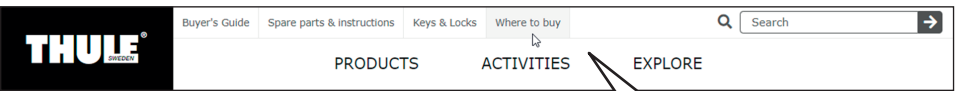


11 CONTACT DEALER

Your Thule dealer details:



Find your Thule dealer:



OR

