

## N4000 series

### spare part list

#### N4080

Front	2
Controls	30
Back	40

#### N4090

Front	4
Controls	32
Back	40

#### N4097

Front	6
Controls	34
Back	40

#### N4100

Front	8
Controls	32
Back	42

#### N4104

Front	10
Controls	34
Back	42

#### N4108

Front	12
Controls	32
Back	40

#### N4112

Front	14
Controls	34
Back	40

#### N4141

Front	18
Controls	38
Back	44

#### N4142

Front	20
Controls	38
Back	44

#### N4145

Front	22
Controls	32
Back	46

#### N4150

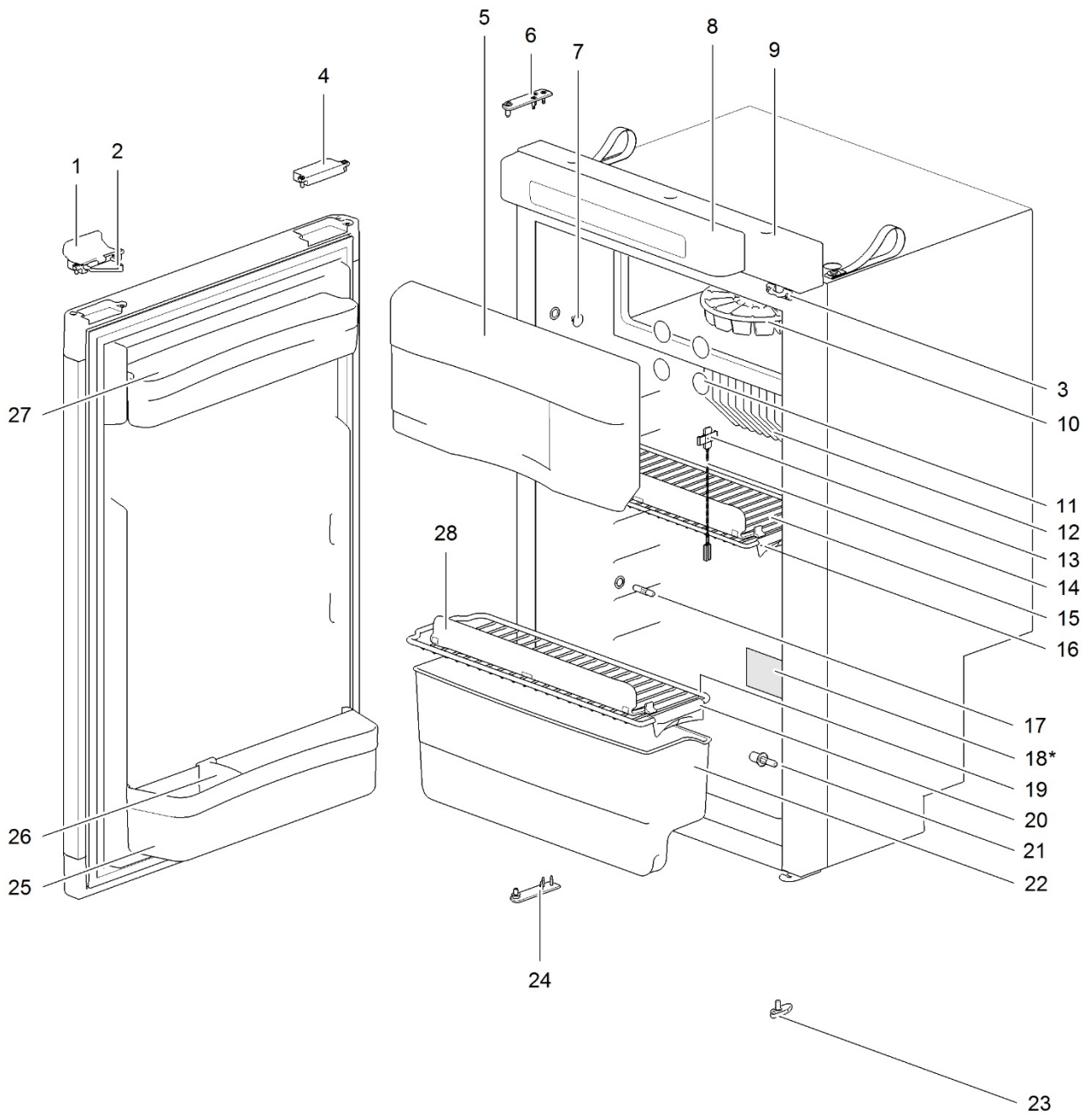
Front	24
Controls	34
Back	46

#### N4170

Front	26
Controls	32
Back	46

#### N4175

Front	28
Controls	34
Back	46



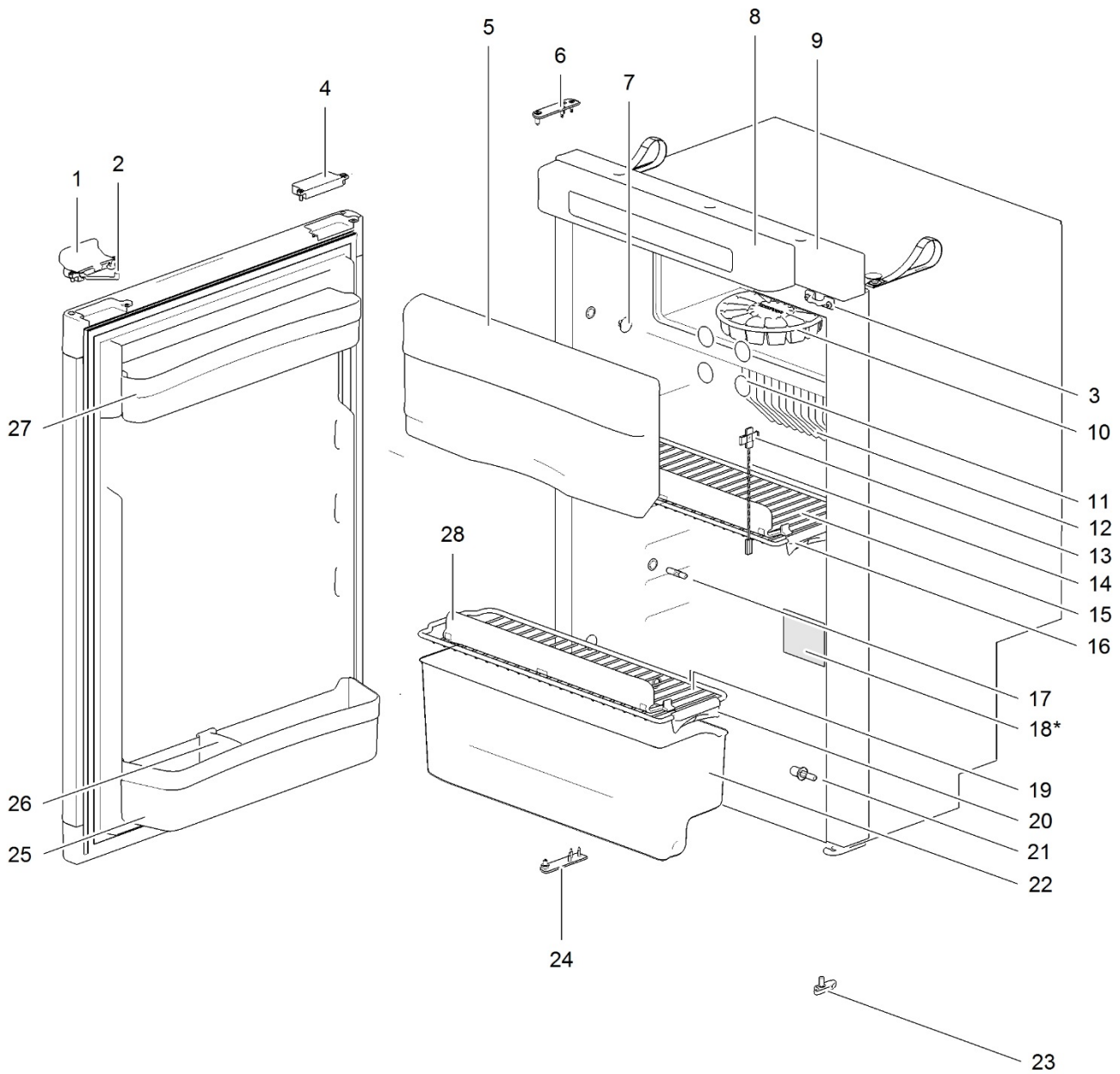
18\*

Model No	TYPE
Series No	Check Class
230 VAC / 50 / 60 Hz / 1.83 W / 12 VDC / 140 W	
Grains Volume	100 L
Netto Volume	
Volume Brat	
Brutto Volume	
Pressure Volume	0.30 G31 28-3007 mbar
Schneefachkapsel	138P G30003 30 mbar
Volume Compens	
Volume Control	
Netto	
Brutto	
Volume m	
Brutto Volume	
E013N1000611	
SS 0063 BK2287	Part No: 034497
ABSORBER NH3 = 194.9 g	NASC04 = 10.1 g
g max = 21 kg	
CFCX:HCFC:R134a:FCW:FCW:FREE	©2019
	9028_SeriesFridge_CDR

LE974\_N3080-front\_1015-V03

	Spare part number	Spare part number	Colours available
1	Latch		27
2	Storage strap (2x)	626986	27
3	Strike plate		
4	Pocket cover		
5	Freezer door		08
	Hinge freezer door (2x)	624680	08
6	Hinge plate		
7	Cap (2x)	623622	08
8	Control panel	<i>Refer to page 30</i>	
9	Mounting box		
10	Ice cube tray		
11	Cap freezer bolt (12x)	624479	08
12	Fin		
13	Fin clip		
14	Thermistor		
15	Shelf 416 x 176	690800	08
16	Clip shelf small	623626	08
17	Hinge pin		
18	Identification label *		
19	Shelf 416 x 130	690801	08
20	Clip shelf small	623626	08
21	Hinge pin		
22	Vegetable bin	690802	08
23	Latch bottom	624001	27
24	Hinge plate		
25	Door bin flat wide	690804	08
26	Bottle retainer	626989	12
27	Door bin flat shallow	690803	08
28	Shelf food retainer	691114	08

\* With a request for information or service, always provide the serial number of the refrigerator. The serial number is the code below the barcode on the identification label.



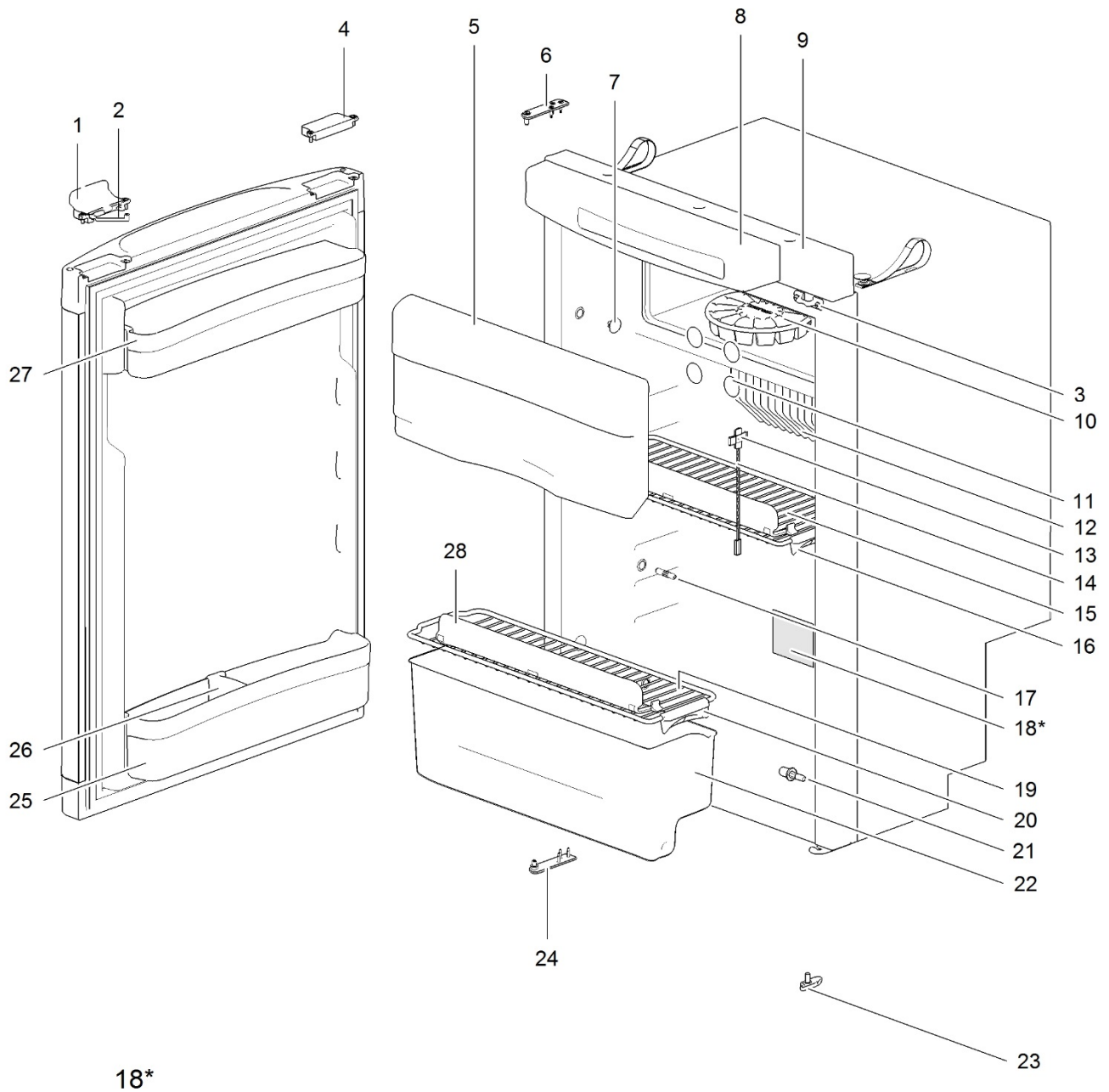
18\*



LE978\_N3090-front\_1015-V03

	Spare part number	Spare part number	Spare part number	Colours available
1	Latch			
2	Storage strap (2x)	626986	691468	27
3	Strike plate			
4	Pocket cover			
5	Freezer door		690852	08
	Hinge freezer door (2x)	624680		
6	Hinge plate			
7	Cap (2x)	623622		08
8	Control panel	<i>Refer to page 32</i>		
9	Mounting box			
10	Ice cube tray			
11	Cap freezer bolt (12x)	624479		08
12	Fin			
13	Fin clip		623077	
14	Thermistor			
15	Shelf 455 x 179	690814		08
16	Clip shelf small	623626		08
17	Hinge pin			
18	Identification label *			
19	Shelf 455 x 133	690815		08
20	Clip shelf small	623626		08
21	Hinge pin			
22	Vegetable bin	690816		08
23	Latch bottom	624001		27
24	Hinge plate			
25	Door bin flat wide	690818		08
26	Bottle retainer	626989		12
27	Door bin flat shallow	690817		08
28	Shelf food retainer	691188		08

\* With a request for information or service, always provide the serial number of the refrigerator. The serial number is the code below the barcode on the identification label.



18\*

**SPECIMEN**

Model No	Type	CE
Serie No	Dimensions	EN 60335-1
230 (Front) x 600 (Depth) x 1625 (Total) mm / 90.5 (Front) x 23.6 (Depth) x 640 (Total) in		
Drink Volume	108 L	38.2 cu ft
Storage Volume		
Volume (Total)		
Volume (Freezer)		
Volume (Fridge)		
Power Voltage	230V/50Hz/50/60Hz	1000W
Defrost Type	Manual	
Volume (Total)	102 L	3.6 cu ft
Net Weight		
Volume (Total)		
Net Weight		
Volume (Total)		
CE 0963 EN3357	Part No	934657
ABSORBER: NH3 = 154.9 g	NA2CO3 = 10.1 g	IFR44 = 21 mm
CFR-112C, FREE / FKH, FKH FREE		©2019 9020_SerieFridge_EUR

LE988\_N3097-front\_1015-V03

		Spare part number	Spare part number	Spare part number	Colours available
1	Latch				
2	Storage strap (2x)	626986	691739		27
3	Strike plate				
4	Pocket cover				
5	Freezer door		690852		08
	Hinge freezer door (2x)	624680			
6	Hinge plate				
7	Cap (2x)	623622			08
8	Control panel	<i>Refer to page 34</i>			
9	Mounting box				
10	Ice cube tray				
11	Cap freezer bolt (12x)	624479			08
12	Fin				
13	Fin clip			623077	
14	Thermistor				
15	Shelf 455 x 179	690814			08
16	Clip shelf small	623626			08
17	Hinge pin				
18	Identification label *				
19	Shelf 455 x 133	690815			08
20	Clip shelf small	623626			08
21	Hinge pin				
22	Vegetable bin	690816			08
23	Latch bottom	624001			27
24	Hinge plate				
25	Door bin flat wide	690824			08
26	Bottle retainer	626989			12
27	Door bin flat shallow	690823			08
28	Shelf food retainer	691188			08

\* With a request for information or service, always provide the serial number of the refrigerator. The serial number is the code below the barcode on the identification label.





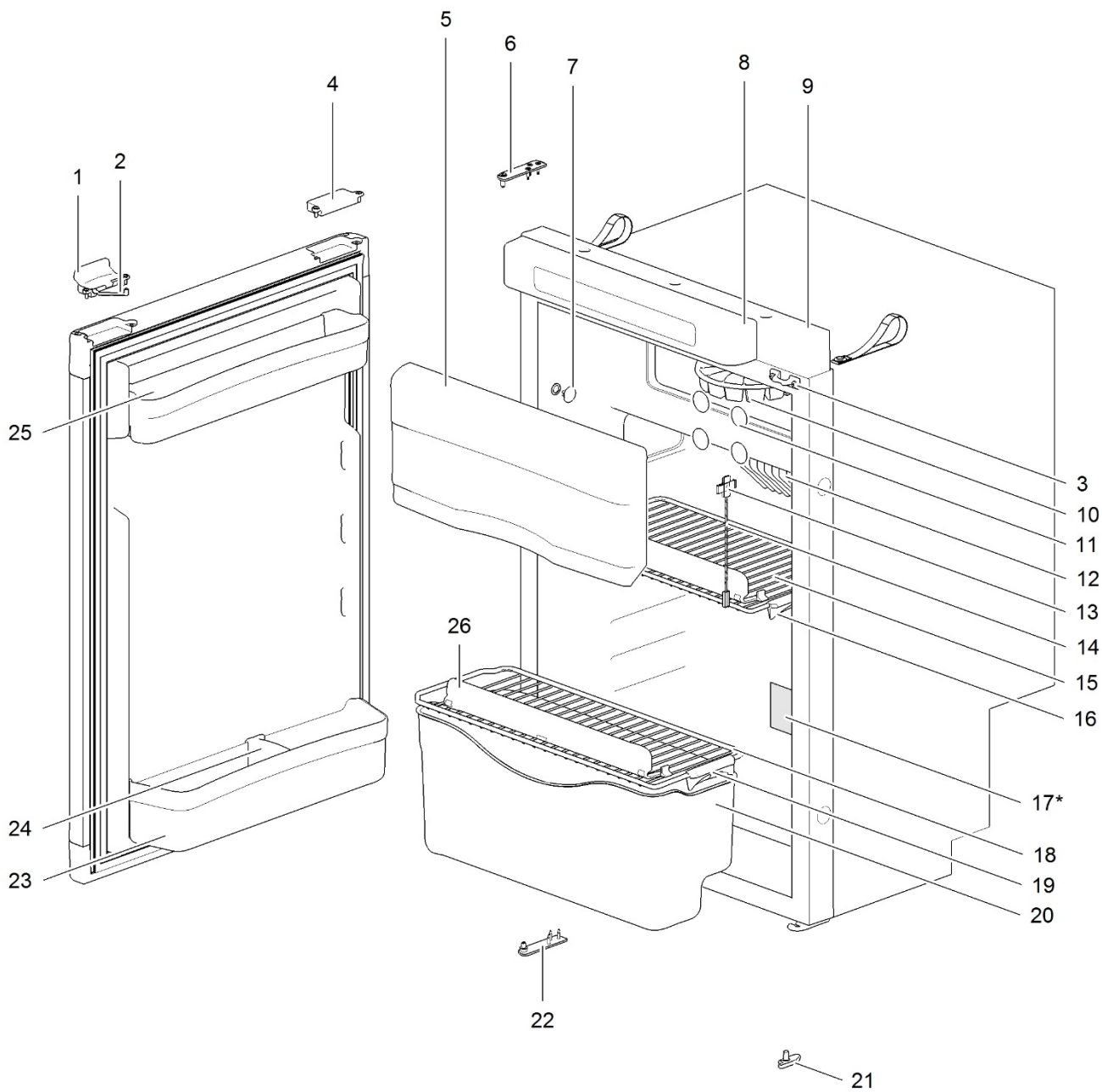
	Spare part number	Spare part number	Spare part number	Colours available
1	Latch			
2	Storage strap (2x)	626986	691468	27
3	Strike plate			
4	Pocket cover			
5	Freezer door		690852	
	Hinge freezer door (2x)	624680		08
6	Hinge plate			
7	Cap (2x)	623622		08
8	Control panel	<i>Refer to page 32</i>		
9	Mounting box			
10	Ice cube tray			
11	Cap freezer bolt (12x)	624479		08
12	Fin			
13	Fin clip		623077	
16	Thermistor			
14	Shelf 455 x 133	690815		08
15	Clip shelf small	623626		08
17	Identification label *			
18	Shelf 454 x 220	690828		08
19	Clip shelf large	623625		08
20	Vegetable bin	690829		08
21	Latch bottom	624001		27
22	Hinge plate			
23	Door bin flat wide	690818		08
24	Bottle retainer	626989		12
25	Door bin flat shallow	690817		08
26	Shelf food retainer	691188		08

\* With a request for information or service, always provide the serial number of the refrigerator. The serial number is the code below the barcode on the identification label.



	Spare part number	Spare part number	Spare part number	Colours available
1	Latch			
2	Storage strap (2x)	626986	691739	27
3	Strike plate			
4	Pocket cover			
5	Freezer door		690852	08
	Hinge freezer door (2x)	624680		
6	Hinge plate			
7	Cap (2x)	623622		08
8	Control panel	<i>Refer to page 34</i>		
9	Mounting box			
10	Ice cube tray			
11	Cap freezer bolt (12x)	624479		08
12	Fin			
13	Fin clip		623077	
14	Thermistor			
15	Shelf 455 x 133	690815		08
16	Clip shelf small	623626		08
17	Identification label *			
18	Shelf 454 x 220	690828		08
19	Clip shelf large	623625		08
20	Vegetable bin	690829		08
21	Latch bottom	624001		27
22	Hinge plate			
23	Door bin curved wide	690824		08
24	Bottle retainer	626989		12
25	Door bin curved shallow	690823		08
26	Shelf food retainer	691188		08

\* With a request for information or service, always provide the serial number of the refrigerator. The serial number is the code below the barcode on the identification label.



17\*

<b>Model No</b>		Type <b>E11</b> <b>E3</b>	<b>CE</b>
<b>Serie No</b>		Climate Class <b>SN</b>	
120 (140) (160) (180) (200) (220) (240) (260) (280) (300) (320) (340) (360) (380) (400) (420) (440) (460) (480) (500) (520) (540) (560) (580) (600) (620) (640) (660) (680) (700) (720) (740) (760) (780) (800) (820) (840) (860) (880) (900) (920) (940) (960) (980) (1000)			
Grosses Volumen	100 L	Netto	20 L
Bruttos Volumen		Netto	20 L
Volumen ohne		Netto	20 L
Brutto Volumen		Netto	20 L
Frostfrei Volumen Gefrierfach Typ Volumen ohne Volumen ohne Netto Volumen			
CE 0903 BK3287 Part No. E34827			
ABSORBER NH3 = 154,5 g NAJCR04 = 15,1 g g/rea = 31 kWh			
CPCK HCF, FREE (FROW, FROW FREE)			

LE991\_N3108-front\_1015-V02

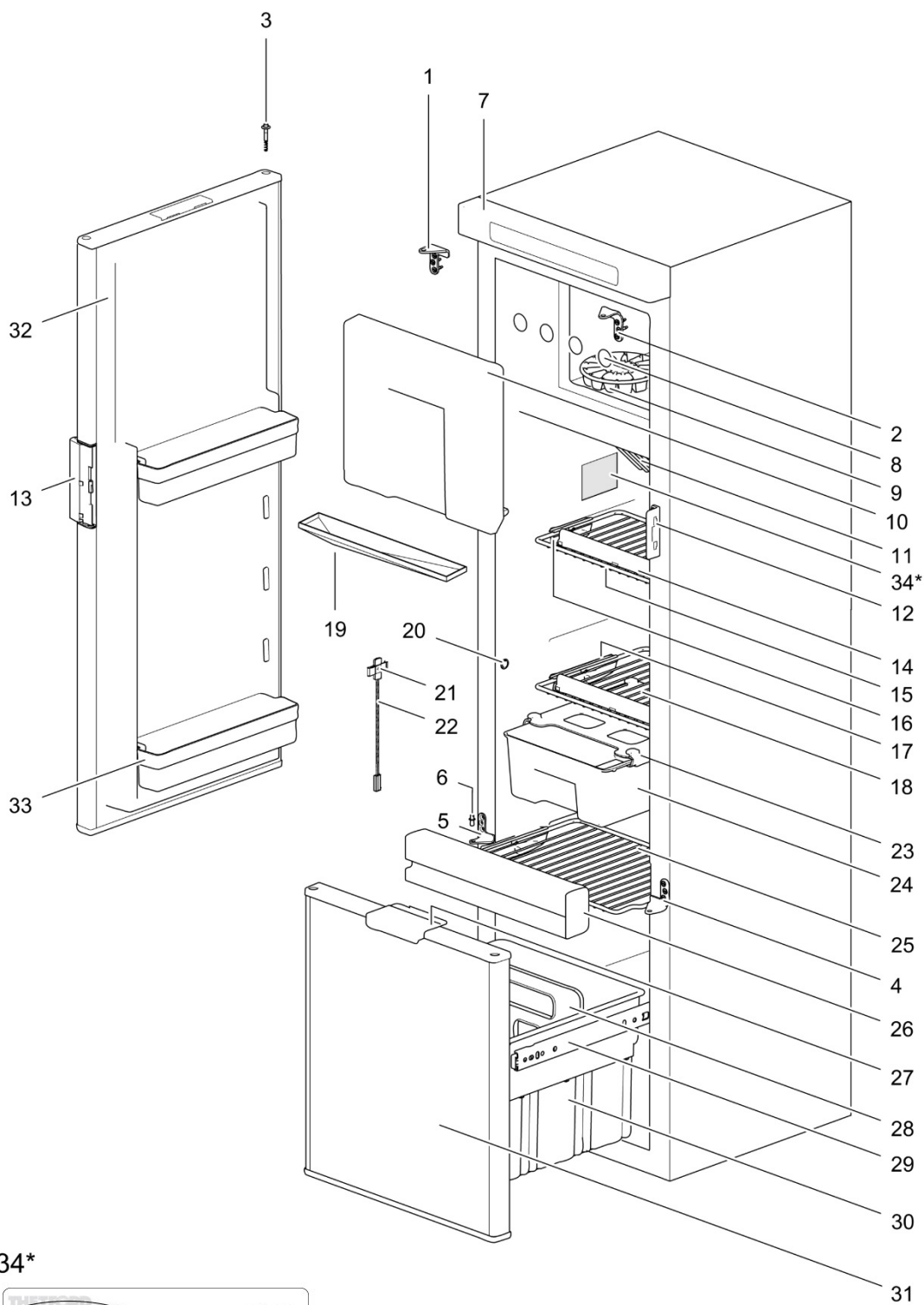
	Spare part number	Spare part number	Spare part number	Colours available
1	Latch			
2	Storage strap (2x)	626986		
3	Strike plate		691468	27
4	Pocket cover			
5	Freezer door		690852	
	Hinge freezer door (2x)	624680		08
6	Hinge plate			
7	Cap (2x)	623622		08
8	Control panel	<i>Refer to page 32</i>		
9	Mounting box			
10	Ice cube tray			
11	Cap freezer bolt (12x)	624479		08
12	Fin			
13	Fin clip		623077	
14	Thermistor			
15	Shelf 454 x 205	690831		08
16	Clip shelf large	623625		08
17	Identification label *			
18	Shelf 455 x 174	690832		08
19	Clip shelf small	623626		08
20	Vegetable bin	690833		08
21	Latch bottom	624001		27
22	Hinge plate			
23	Door bin flat wide	690818		08
24	Bottle retainer	626989		12
25	Door bin flat shallow	690817		08
26	Shelf food retainer	691188		08

\* With a request for information or service, always provide the serial number of the refrigerator. The serial number is the code below the barcode on the identification label.



		Spare part number	Spare part number	Spare part number	Colours available
1	Latch				
2	Storage strap (2x)	626986	691739		27
3	Strike plate				
4	Pocket cover				
5	Freezer door		690852		
	Hinge freezer door (2x)	624680			08
6	Hinge plate				
7	Cap (2x)	623622			08
8	Control panel LED	<i>Refer to page 34</i>			
9	Mounting box				
10	Ice cube tray				
11	Cap freezer bolt (12x)	624479			08
12	Fin				
13	Fin clip			623077	
14	Thermistor				
15	Shelf 454 x 205	690831			08
16	Clip shelf large	623625			08
17	Identification label *				
18	Clip shelf large	623625			08
19	Vegetable bin	690834			08
20	Latch bottom	624001			27
21	Hinge plate				
22	Door bin curved wide	690824			08
23	Bottle retainer	626989			12
24	Door bin curved shallow	690823			08
25	Shelf food retainer	691188			08

\* With a request for information or service, always provide the serial number of the refrigerator. The serial number is the code below the barcode on the identification label.



34\*

Model No	Type	CE
Serie No	Climate Class	EN
230 V AC, 50/60 Hz, 1.255 W - 12 VDC, J, 540 W		
Gross Volume		
Brutto Volume	108 L	
Kühlraum Brutto		
Brutto Volume		
Frostfrei Volume	G30G31-08-5037 mixer	
Gefrierfach Volume	108P G30G31-30 mixer	
Volume Comp		
Volume		
Nett		
Nett		
Volume	102	
Nett Volume		
Nett Volume		
CE mark	Part No	G30G31
ABSORBER NH3 = 154.8 g	NAJCR04 = 10.1 g	p max = 21 bar
CFC4 HCFC, FREE / FROW, FC0W FRES		
©2015		
9920, Serie/Fridge, EUR		

LE1111\_N3141-front



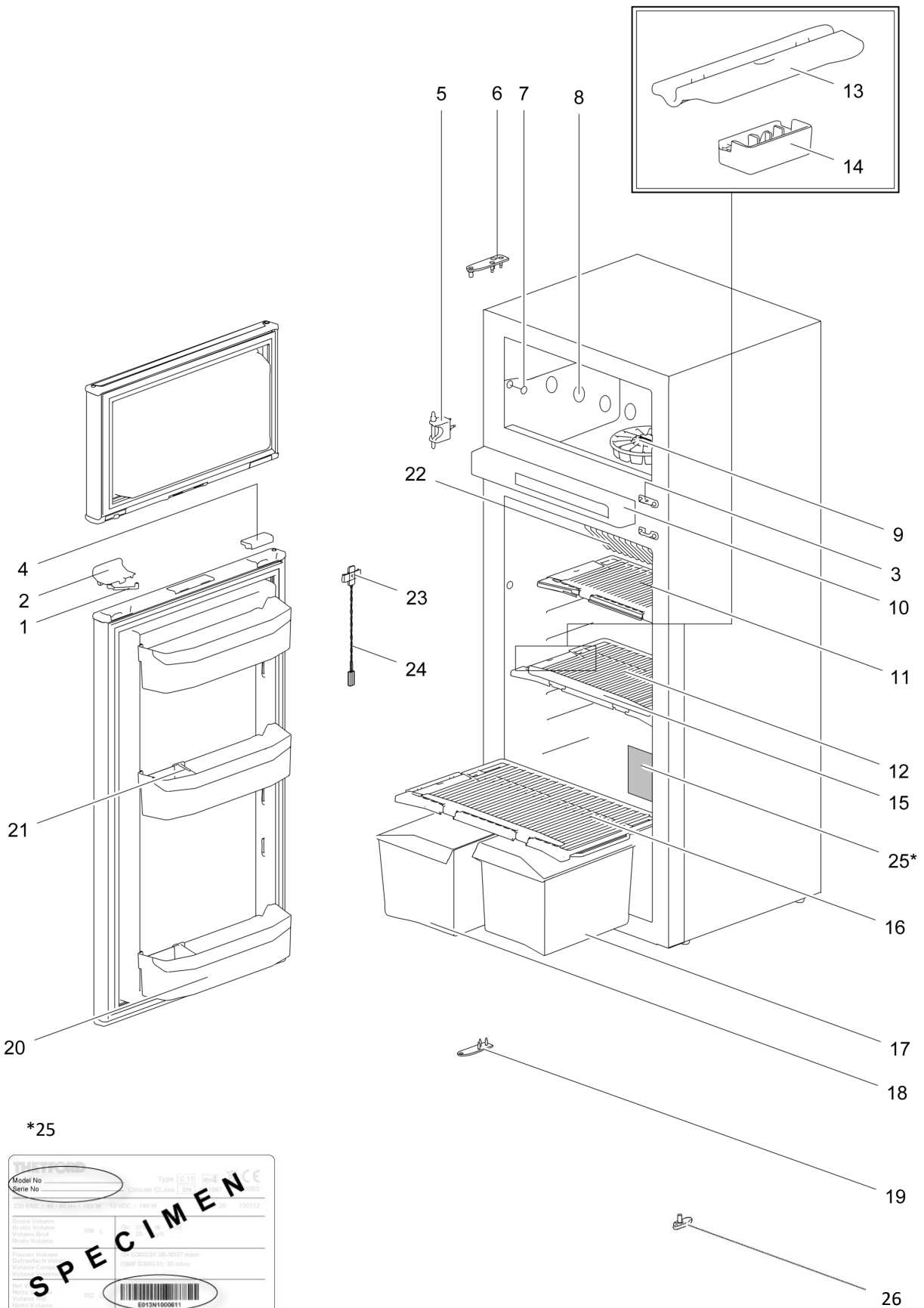
		Spare part number	Spare part number	Colours available
1	Hinge plate top left	691456		27
2	Hinge plate top right			
3	Hinge pin (including spring)			
4	Hinge plate bottom right			
5	Hinge plate bottom left			
6	Hinge pin bottom			
7	Control panel	<i>Refer to page 38</i>		
8	Cap freezer bolt (12x)	624479		08
9	Ice cube tray			
10	Freezer door		691112	08
	Hinge freezer door (2x)	624680		
11	Fin			
12	Door lock plate		691113	
13	Door handle			
14	Shelf food retainer	691114		08
15	Shelf 340 x 182	691115		08
16	Clip shelf small	623626		08
17	Clip shelf large	623625		08
18	Shelf 340 x 241	691116		08
19	Drip tray	691885		08
20	Cap (2x)	623622		08
21	Fin clip		623077	
22	Thermistor			
23	Guiding cover	691118		08
24	Slide-out box	692253		144
25	Shelf 340 x 268	691117		08
26	Divider bar	Not available		
27	Drawer handle	691287		27
28	Drawer divider	691120		08
29	Drawer guides	691123		
30	Drawer bin	691288		08
31	Drawer door	690521		27R
32	Cabinet door	690519		27R
33	Door bin	692254		144
34	Identification label*			
NA	Clip - door conversion (2x)	691127		

\* With a request for information or service, always provide the serial number of the refrigerator. The serial number is the code below the barcode on the identification label.



		Spare part number	Spare part number	Colours available
1	Hinge plate left	691456		27
2	Hinge plate right			
3	Hinge pin (including spring)			
4	Hinge plate bottom right			
5	Hinge plate bottom left			
6	Hinge pin bottom			
7	Control panel	<i>Refer to page 38</i>		
8	Cap freezer bolt (12x)	624479		08
9	Ice cube tray			
10	Freezer door		691112	08
	Hinge freezer door (2x)	624680		
11	Fin			
12	Door lock plate		691113	
13	Door handle			
14	Shelf food retainer	691114		08
15	Shelf 340 x 182	691115		08
16	Clip shelf small	623626		08
17	Clip shelf large	623625		08
18	Shelf 340 x 241	691116		08
19	Drip tray	691885		08
20	Cap (2x)	623622		08
21	Fin clip		623077	
22	Thermistor			
23	Guiding cover	691118		08
24	Slide-out box	692253		144
25	Drawer divider	691120		08
26	Drawer guides	691122		
27	Drawer bin	691457		08
28	Cabinet door	690517		27R
29	Door bin	692254		144
30	Identification label*			
NA	Clip - door conversion (2x)	691127		

\* With a request for information or service, always provide the serial number of the refrigerator. The serial number is the code below the barcode on the identification label.



\*25

Model No	Typ	CE	CE
Serie No	CHARM CLASS	EN	EN
<b>SPECIMEN</b>			
Größe Volumen	198 L		
Statische Volumen			
Volumen Brutto			
Statische Volumen			
Freier Volumen			
Gefrierfach Vol.	120 L		
Volumen Gefrierfach			
Volumen Gefrierfach			
Netto Volumen	182 L		
Netto Volumen			
CE 0043 BX2297	Part No	E34807	
ABSORBER	N45 = 154,9 g	N42008 = 10,1 g	p max = 21 bar
CFCK/HCFC, FREE / FKW, FCKW FREE			920019 9020_SchW/10gr_EUR

N3145-front\_0718-V04

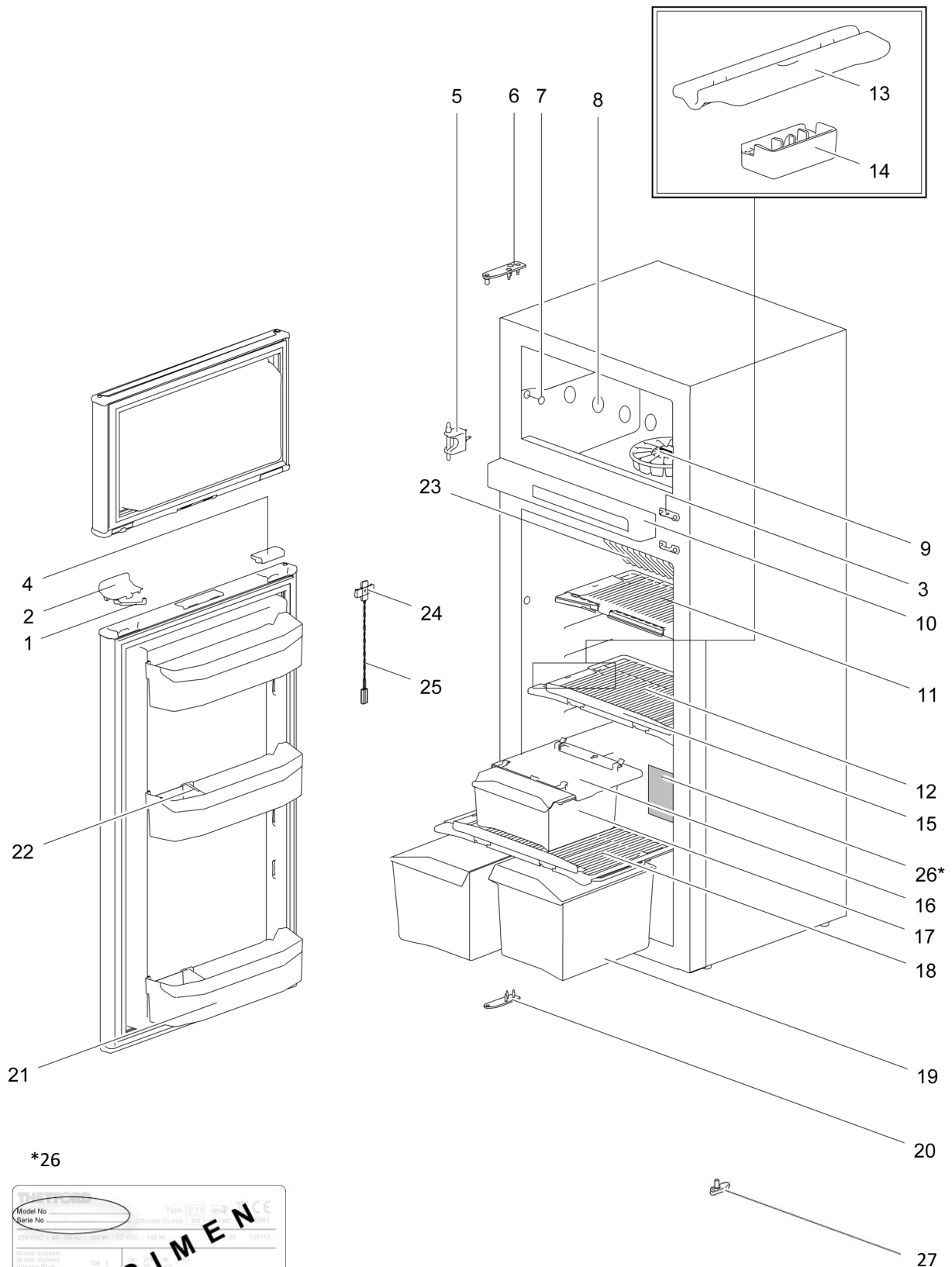
		Spare part number	Spare part number	Spare part number	Colours available
1	Storage strap (2x)	626986	691468		27
2	Latch				
3	Strike plate				
4	Pocket cover				
5	Hinge center				
6	Hinge plate				
7	Cap (2x)	623622			08
8	Cap freezer bolt (12x)	624479			08
9	Ice cube tray				
10	Control panel	<i>Refer to page 32</i>			
11	Shelf rack 415 x 150	692510			144
12	Shelf rack 415 x 200	692511			144
13	Clip shelf rack small	692513			08
14	Clip rack safety lock	692515			08
15	Food retainer	692516			08
16	Shelf rack 415 x 200	692511			144
17	Vegetable bin right	692523			144
18	Vegetable bin left	692522			144
19	Hinge Plate				
20	Door bin flat	692519			144
21	Bottle retainer	692521			08
22	Fin				
23	Fin clip			623077	
24	Thermistor				
25*	Identification label				
26	Bottom latch	624001			27

\* With a request for information or service, always provide the serial number of the refrigerator. The serial number is the code below the barcode on the identification label.



		Spare part number	Spare part number	Spare part number	Colours available
1	Storage strap (2x)	626986	691739		27
2	Latch				
3	Strike plate				
4	Pocket cover				
5	Hinge center				
6	Hinge plate				
7	Cap (2x)	623622			08
8	Cap freezer bolt (12x)	624479			08
9	Ice cube tray				
10	Control panel	<i>Refer to page 32</i>			
11	Shelf rack 415 x 150	692510			144
12	Shelf rack 415 x 200	692511			144
13	Clip shelf rack small	692513			08
14	Clip rack safety lock	692515			08
15	Food retainer	692516			08
16	Shelf rack 415 x 200	692511			144
17	Vegetable bin right	692523			144
18	Vegetable bin left	692522			144
19	Hinge Plate				
20	Door bin curved	692520			144
21	Bottle retainer	692521			08
22	Fin				
23	Fin clip (3x)			623077	
24	Thermistor				
25*	Identification label				
26	Bottom latch	624001			27

\* With a request for information or service, always provide the serial number of the refrigerator. The serial number is the code below the barcode on the identification label.



\*26

LE1063-N3170-front\_0518-V04

Model No.	Typ	CE
Serie No.	CHARM CLASS	EN 15131
Netto Volumen 130 L Brutto Volumen 130 L Volumen Brutt 130 L Netto Volumen 130 L		
Freier Volumen 130 L Gefrierfach Vol. 130 L Volumen Gefrierfach 130 L Netto Volumen 130 L		
CE 0043 BX2297 Part No. 634807		
ABSORBER N45 = 154,9 g NACHREIN = 10,1 g p max = 21 bar		
CFCX-HCFC, FREE / FKW, FCKW FREE		

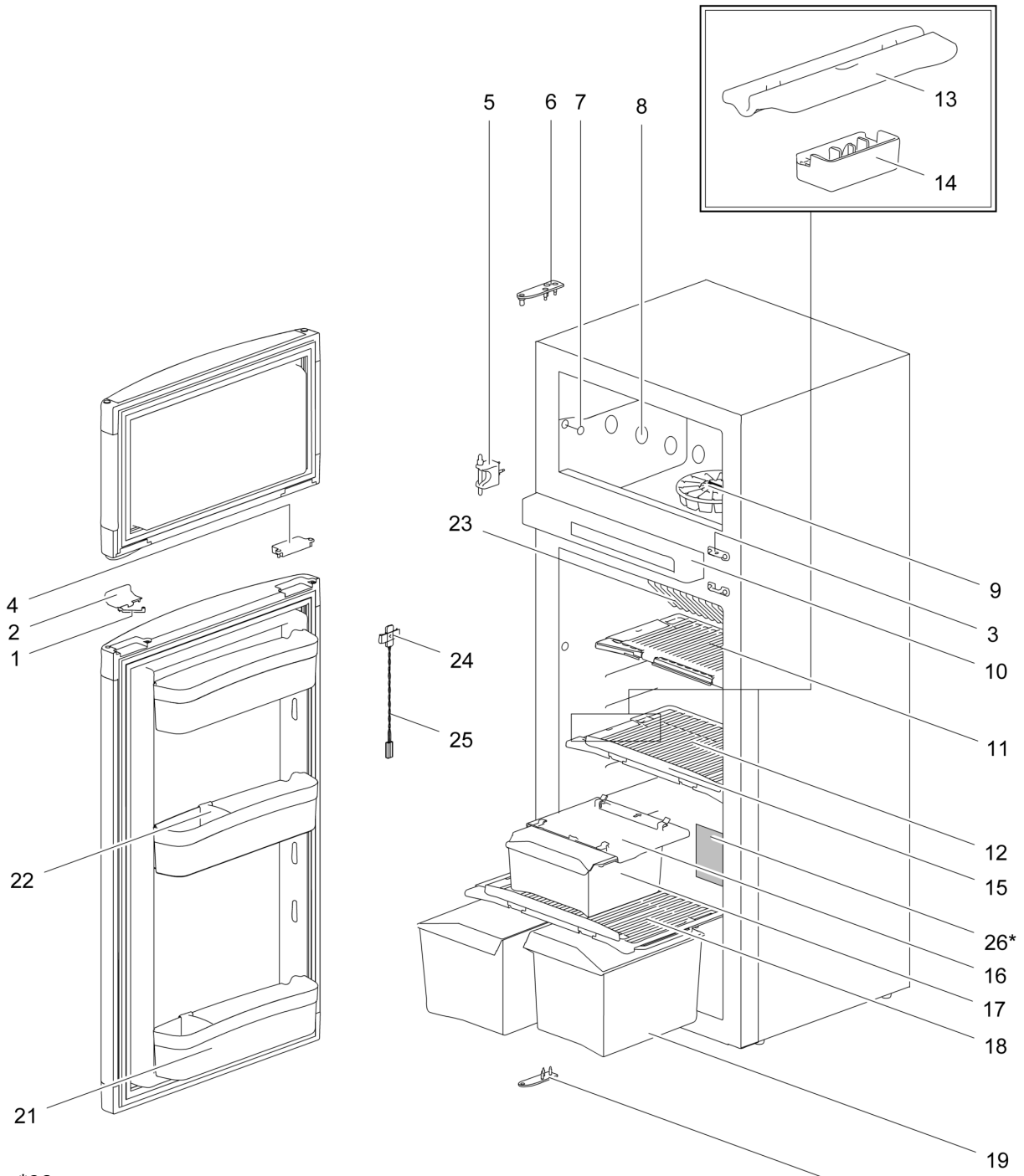
**SPECIMEN**

E0131000611



		Spare part number	Spare part number	Spare part number	Colours available
1	Storage strap (2x)	626986	691468		27
2	Latch				
3	Strike plate				
4	Pocket cover				
5	Hinge center				
6	Hinge plate				
7	Cap (2x)	623622			08
8	Cap freezer bolt (12x)	624479			08
9	Ice cube tray				
10	Control panel	<i>Refer to page 32</i>			
11	Shelf rack 415 x 200	692511			144
12	Shelf rack 415 x 250	692512			144
13	Clip shelf rack small	692513			08
14	Clip rack safety lock	692515			08
15	Food retainer	692516			08
16	Slide out box guide	692518			144
17	Slide out box	692517			144
18	Shelf rack 415 x 250	692512			144
19	Vegetable bin reversible	692524			144
20	Hinge plate				
21	Door bin flat	692519			144
22	Bottle retainer	692521			08
23	Fin				
24	Fin clip			623077	
25	Thermistor				
26*	Identification label				
27	Bottom latch	624001			27

\* With a request for information or service, always provide the serial number of the refrigerator. The serial number is the code below the barcode on the identification label.



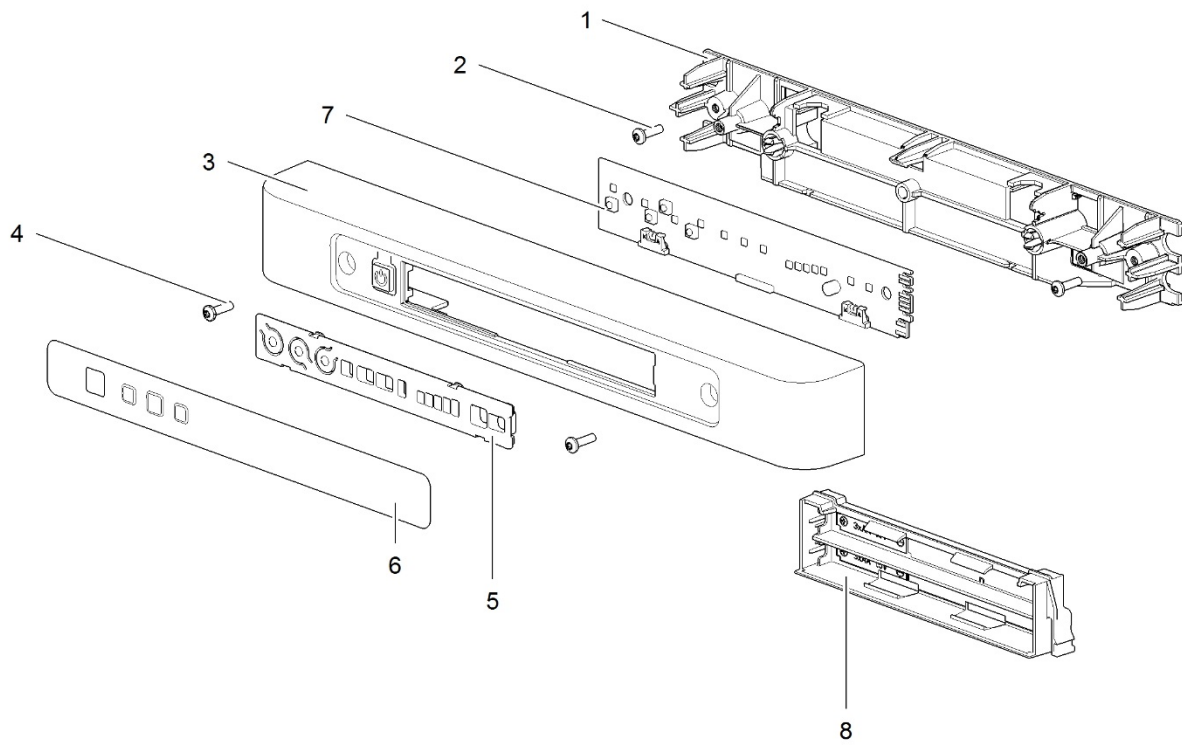
\*26

<b>Model No</b> Serie No		Type <b>C11</b> <b>64</b> Climate Class <b>T3</b> <b>T4</b> <b>T5</b>	
230 VAC / 50 Hz / 150 W / 12 VDC / 140 W			
Gross Volume Netto Volume Schenke Brutt Netto Volume	100 L		
Freizeite Volume Kühlleistung (Vollk) Volumen Compres Volumen	100 L 100 W 100 W		
Typ Reihe Volumen Netto Volume	100 L 100 W 100 W		
CE 0803 BM207		Part No: 03807	
ABSORBER NH3 = 154.9 g    NAX2R04 = 10.1 g    p max = 21 bar			
100% HFC-FREE / 100% R600a FREE		820612 8030_SerieFridge_EUR	

LE1063-N3170-front\_0518-V04

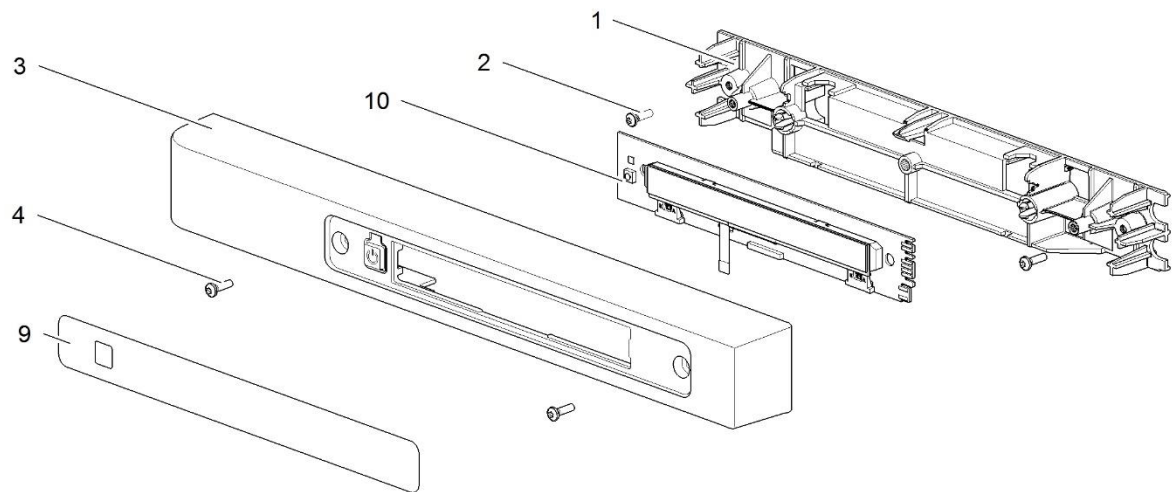
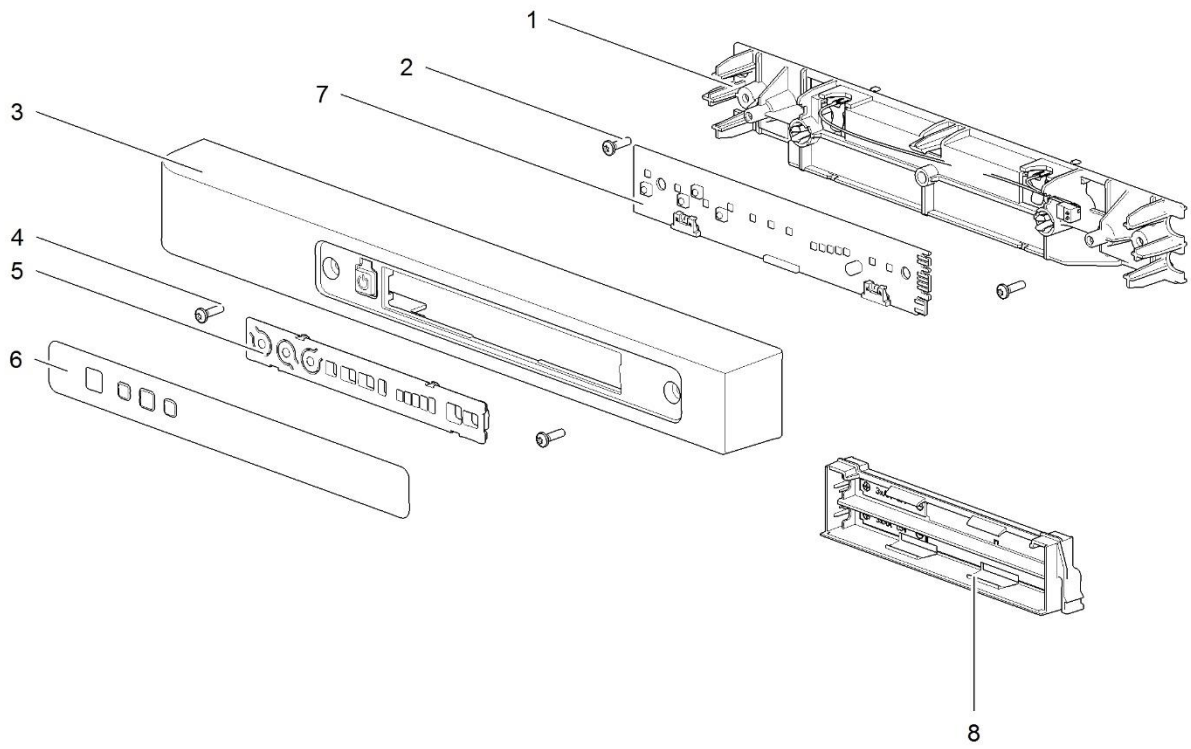
		Spare part number	Spare part number	Spare part number	Colours available
1	Storage strap (2x)	626986	691739		27
2	Latch				
3	Strike plate				
4	Pocket cover				
5	Hinge center				
6	Hinge plate				
7	Cap (2x)	623622			08
8	Cap freezer bolt (12x)	624479			08
9	Ice cube tray				
10	Control panel	<i>Refer to page 32</i>			
11	Shelf rack 415 x 200	692511			144
12	Shelf rack 415 x 250	692512			144
13	Clip shelf rack small	692513			08
14	Clip rack safety lock	692515			08
15	Food retainer	692516			08
16	Slide out box guide	692518			144
17	Slide out box	692517			144
18	Shelf rack 415 x 250	692512			144
19	Vegetable bin reversible	692524			144
20	Hinge plate				
21	Door bin curved	692520			144
22	Bottle retainer	692521			08
23	Fin				
24	Fin clip		623077		
25	Thermistor				
26*	Identification label				
27	Bottom latch	624001			27

\* With a request for information or service, always provide the serial number of the refrigerator. The serial number is the code below the barcode on the identification label.



		Spare part number	Spare part number	Spare part number	Colours available
1	Technical panel flat	690806			
2	Screws				
3	Housing flat	690807			27
4	Screws				
5	Overlay LED+		692242		
6	Sticker LED+	692240		692243	
7	PCB LED+ DM				
	PCB LED+ DM FOR BATTERY PACK			692244 <sup>1</sup>	
8	Battery hatch				
	Battery pack	692887			27

<sup>1</sup>including spare part 'sticker LED+' (#6)

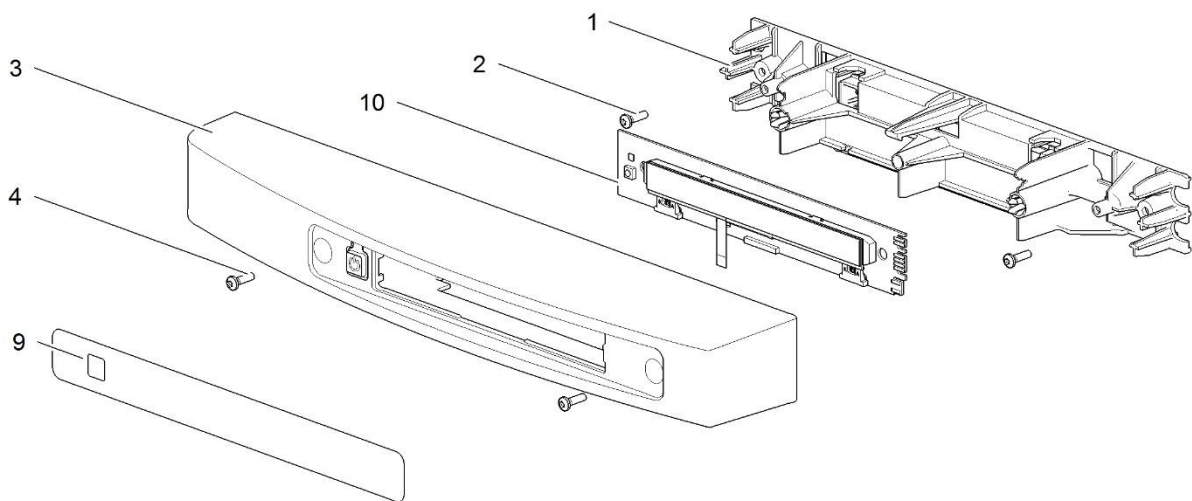
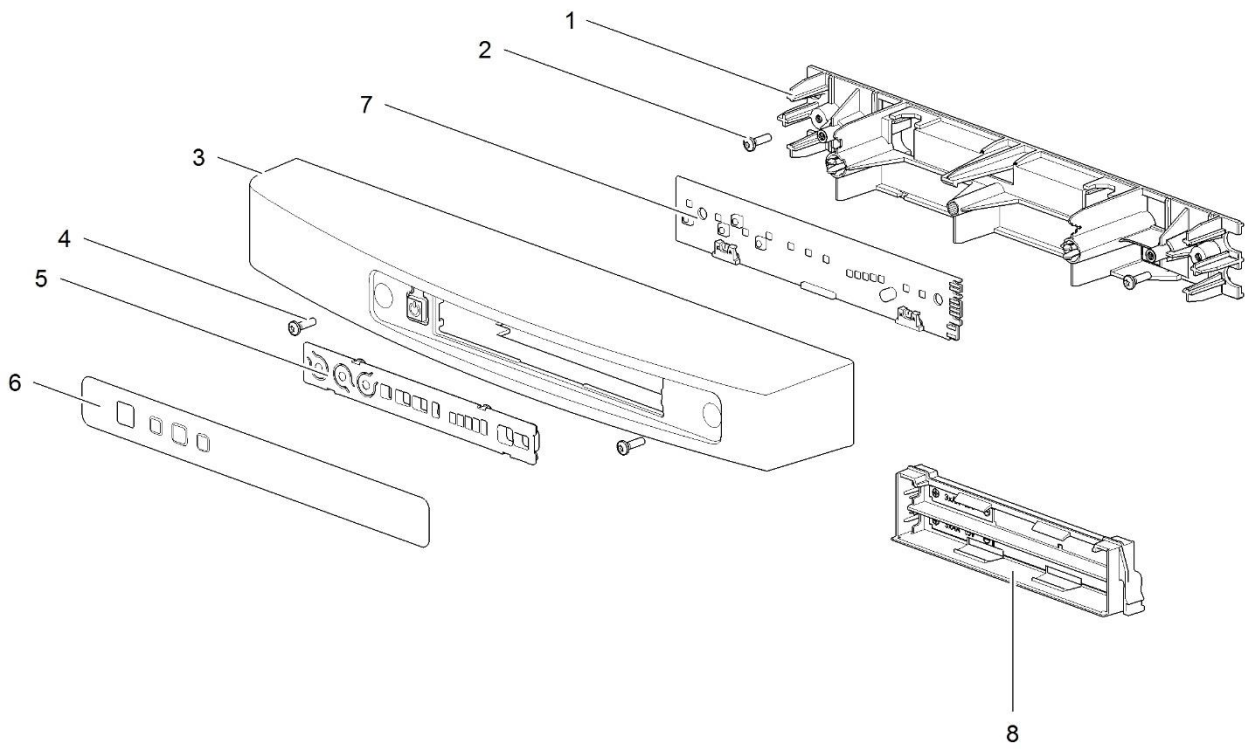


LE1004\_Control Panel+flat525\_1214-V04

Spare part number

1	Technical panel flat	690806		
2	Screws			
3	Housing flat			
	Right hinged flat door 10 mm	691463		
	Left hinged flat door 10 mm	691464		
4	Screws			
5	Overlay LED+		692242	
6	Sticker LED+	692240		692243
7	PCB LED+ DM			692244 <sup>1</sup>
	PCB LED+ DM FOR BATTERY PACK <sup>1</sup>			69288727 <sup>1</sup>
8	Battery pack accessory			
	Battery hatch			
9	Sticker LCD	692241	692245	
10	PCB LCD DM			

<sup>1</sup> including spare part 'Sticker LED+' (#6)

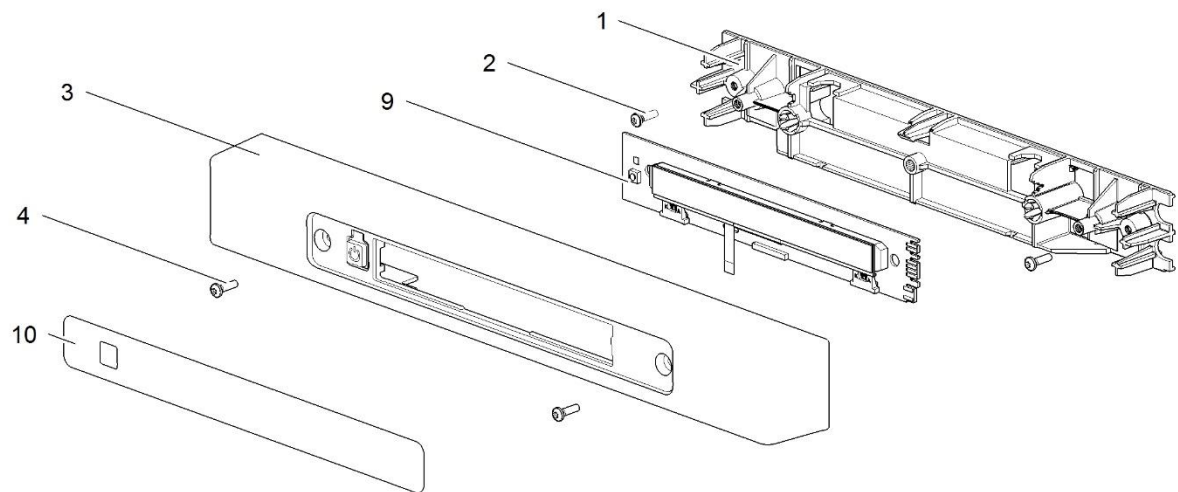
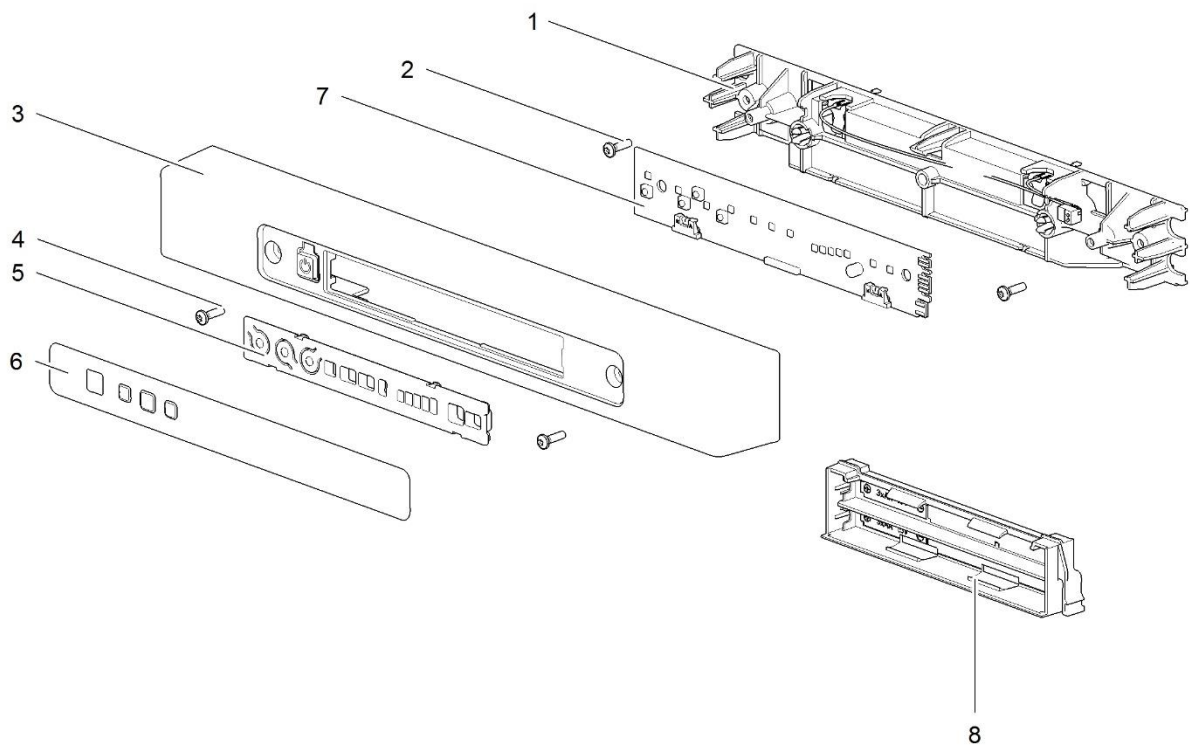




Spare part number

1	Technical panel curved	690825		
2	Screws			
3	Housing curved			
	Right hinged	69082627		
	Left hinged	69082727		
4	Screws			
5	Overlay LED+		692242	
6	Sticker LED+	692240		692243
7	PCB LED+ DM			692244 <sup>1</sup>
	PCB LED+ DM FOR BATTERY PACK <sup>1</sup>			69288727 <sup>1</sup>
8	Battery pack accessory			
	Battery hatch			
9	Sticker LCD	692241	692245	
10	PCB LCD DM			

<sup>1</sup> including spare part 'Sticker LED+' (#6)

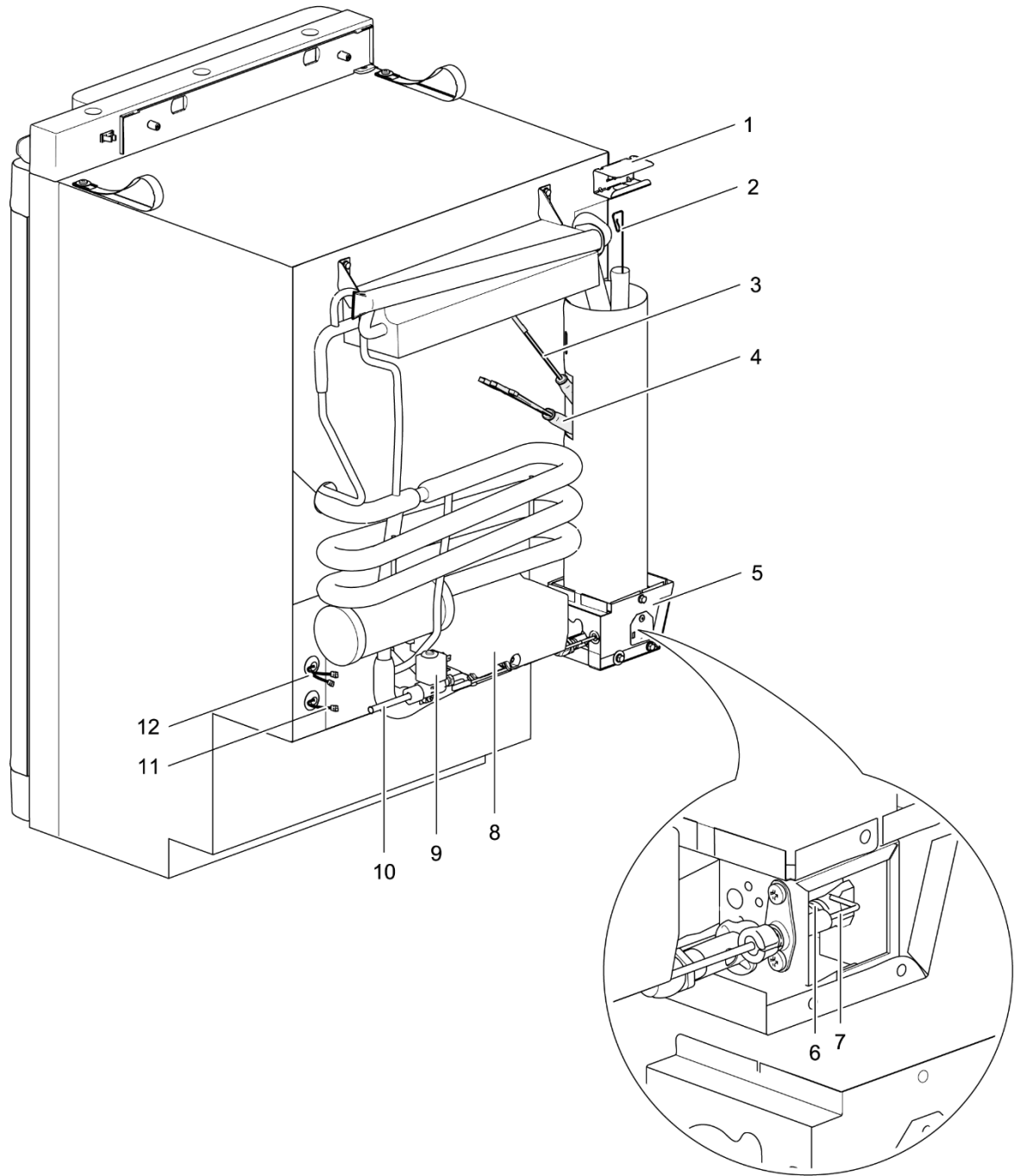


## Spare part number

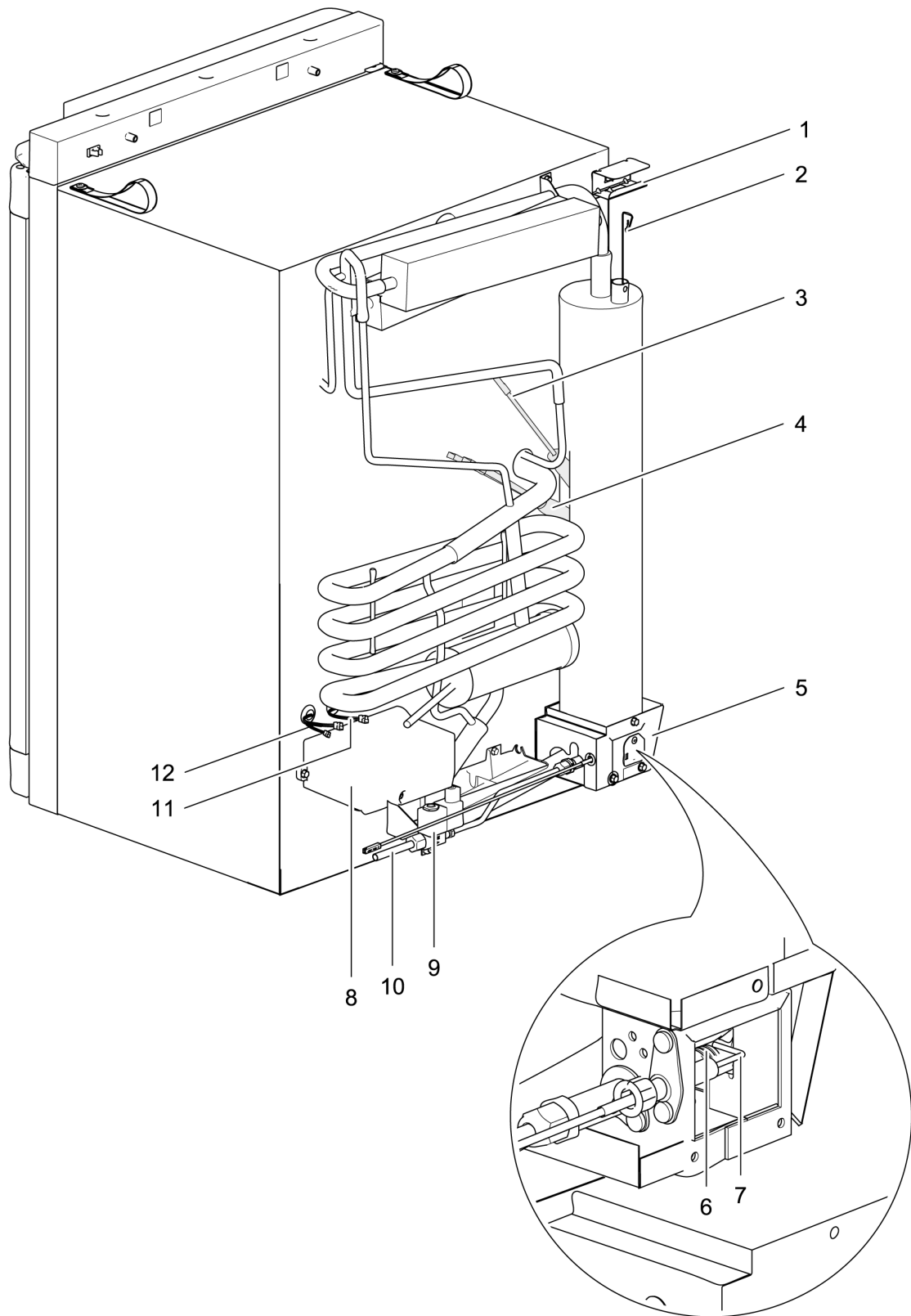
1	Technical panel flat	691102		
2	Screws			
3	Housing flat	69110427		
4	Screws			
5	Overlay LED+		692242	
6	Sticker LED+	692240		692243
7	PCB LED+ DM			692244 <sup>1</sup>
	PCB LED+ DM FOR BATTERY PACK <sup>1</sup>			69288727 <sup>1</sup>
8	Battery pack accessory			
	Battery hatch			
9	PCB LCD DM		692245	
10	Sticker LCD	692241		

<sup>1</sup> including spare part 'Sticker LED+' (#6)

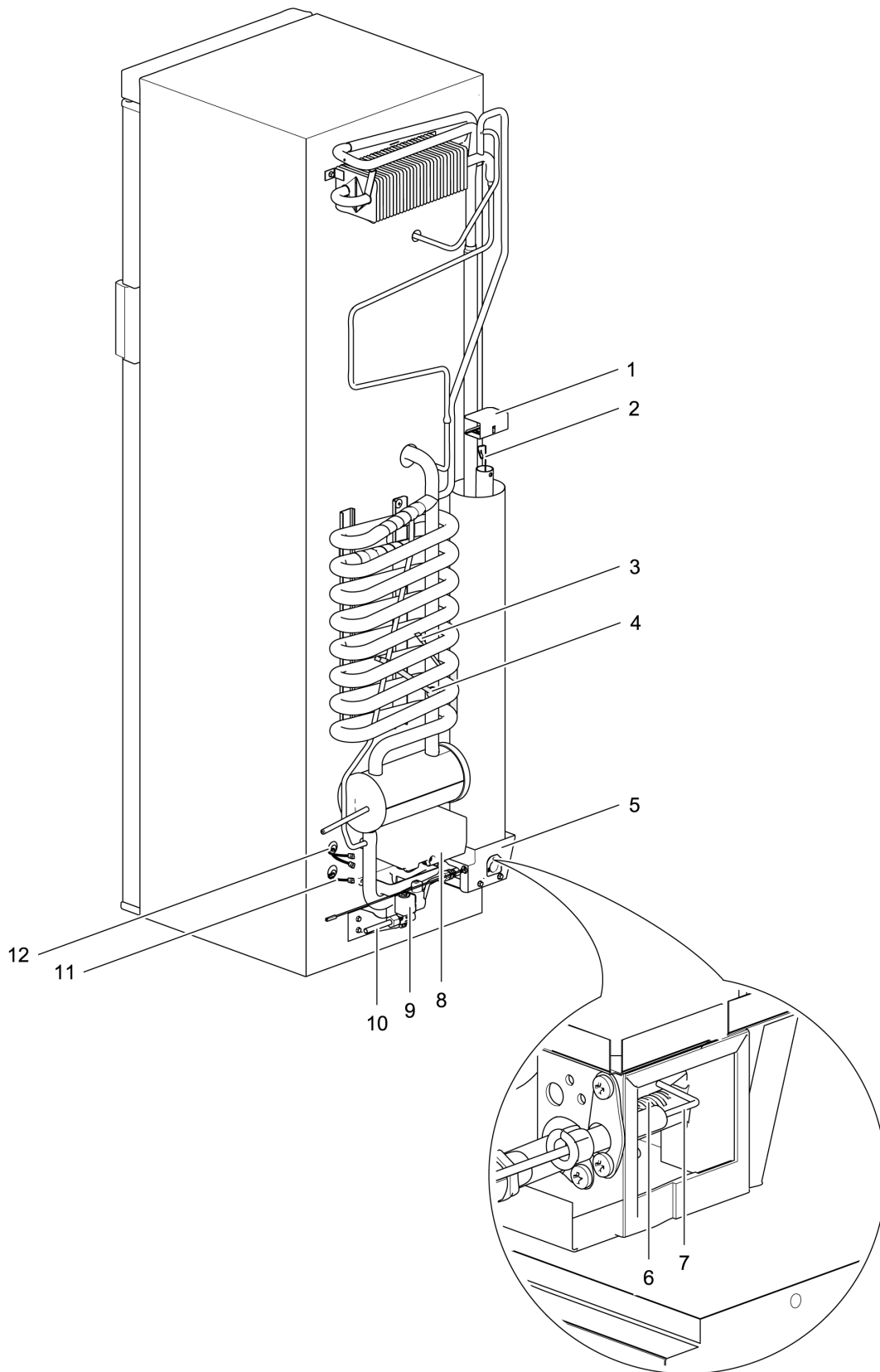
N4080-N4090-N4097-N4108-N4112-back



		Spare part number	Spare part number	Colours available
1	Heat cap	690812		
2	Heat diffuser	690878		
3	Heater AC	692250		
4	Heater DC	633574		
5	Heater box			
6	Burner assembly	634570		
7	Spark electrode	690813		
8	Power control board	692247		
9	Gas valve	690810		
10	Gas pipe			
11	Thermistor cable			
	Loose connector temperature <i>power board side</i>	690855	690853	
12	Communication cable			
	Loose connectors communication and CI-bus	690856	690854	



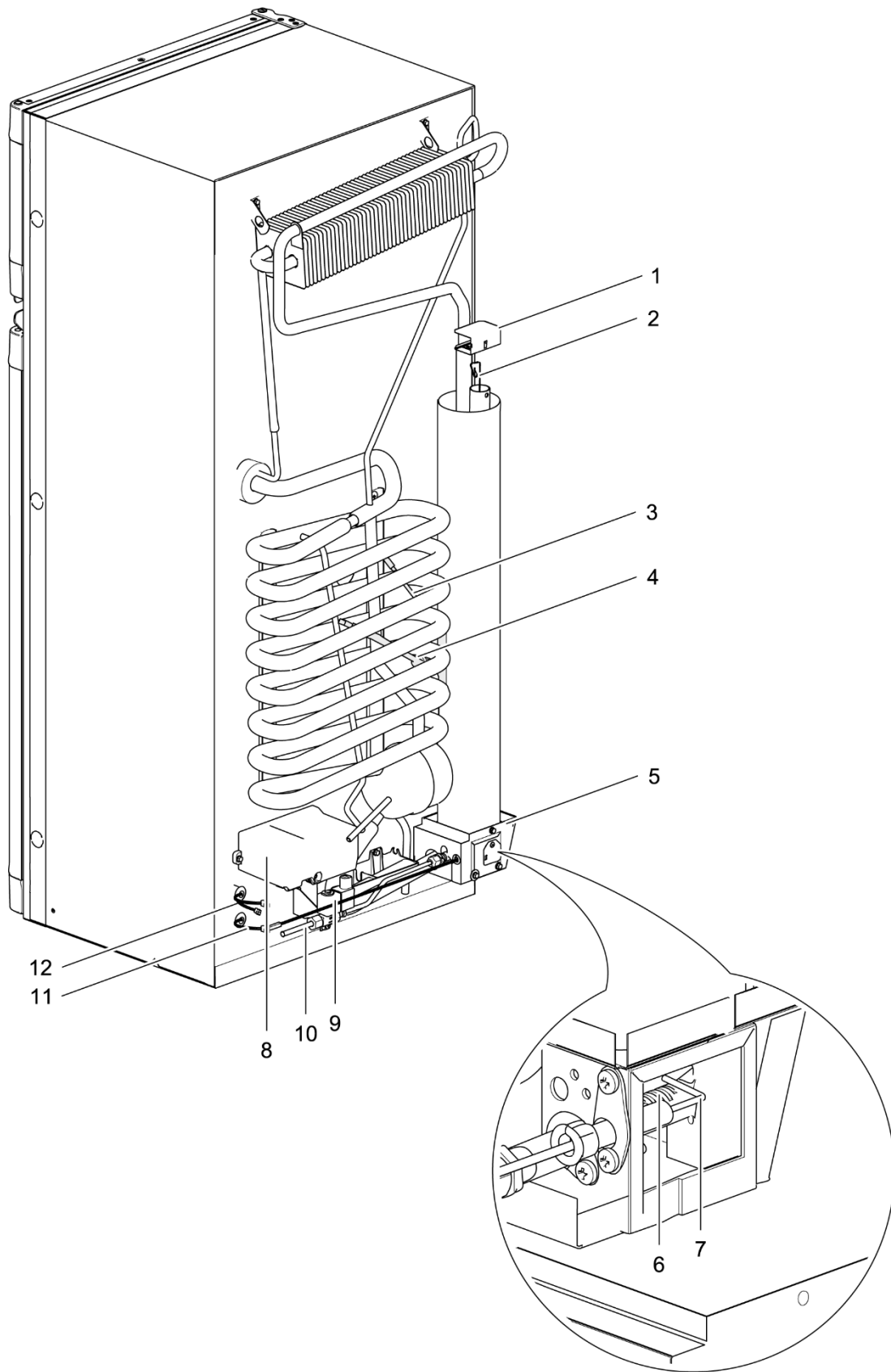
		Spare part number	Spare part number	Colours available
1	Heat cap	690812		
2	Heat diffuser	690878		
3	Heater AC	692250		
4	Heater DC	633574		
5	Heater box			
6	Burner assembly	623019		
7	Spark electrode	690830		
8	Power control board	692247		
9	Gas valve	690810		
10	Gas pipe			
11	Thermistor cable			
	Loose connector temperature <i>power board side</i>	690855	690853	
12	Communication cable			
	Loose connectors communication and CI-bus	690856	690854	



N4141-N4142-back



		Spare part number	Spare part number	Colours available
1	Heat cap	690839		
2	Heat diffuser	692583		
3	Heater AC	691193		
4	Heater DC	691125		
5	Heater box			
6	Burner assembly	623058		
7	Spark electrode	690840		
8	Power control board	692247		
9	Gas valve	690810		
10	Gas pipe			
11	Thermistor cable			
	Loose connector temperature <i>power board side</i>	690855	690853	
12	Communication cable			
	Loose connectors communication and CI-bus	690856	690854	



N4145-N4150-N4170-N4175-back

		Spare part number	Spare part number	Colours available
1	Heat cap	690839		
2	Heat diffuser	690879		
3	Heater AC	691193		
4	Heater DC	691125		
5	Heater box			
6	Burner assembly	623058		
7	Spark electrode	690840		
8	Power control board	692247		
9	Gas valve	690810		
10	Gas pipe			
11	Thermistor cable			
	Loose connector temperature <i>power board side</i>	690855	690853	
12	Communication cable			
	Loose connectors communication and CI-bus	690856	690854	

<b>Colour Numbers</b>	<b>Description</b>	<b>Colour reference</b>
07	Traffic Grey	RAL 7042
08	White	MP 1013 MP FR 85 R7
12	Blue	RAL 5012
27(R)	Black	RAL 9005
30	Mocha	NCS S 2005-Y40R
90	Anthracite Grey	RAL 7016
136	Black Grey	RAL 7021
138R	Piano Black	AM50CI EG schwarz 8325 VA 82-99139/10